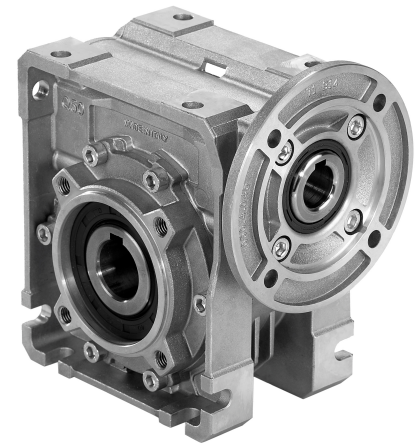


Technical Data Sheet
Gearbox
WORM GEARBOX SQUARE DESIGN



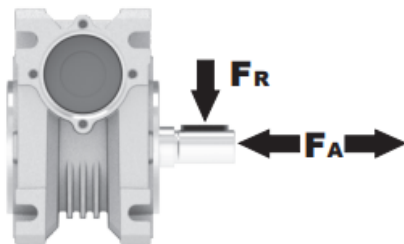
| | | |
|--------------------|--------|-----|
| MODEL | Q63 | |
| Ø OUTPUT SHAFT | 25 | mm |
| APPROXIMATE RATIO | 7 | |
| EXACT RATIO | 7.00 | |
| OUTPUT SPEED | 209 | RPM |
| EXACT OUTPUT SPEED | 209 | RPM |
| INPUT POWER | 1.50 | KW |
| INPUT ROTATION | 1400 | RPM |
| INPUT PAM | 90B5 | |
| OUTPUT TORQUE | 59.44 | N.m |
| NOMINAL TORQUE | 125.00 | N.m |
| NOMINAL POWER | 3.2 | KW |
| SERVICE FACTOR | 2.13 | |
| DYNAMIC EFFICIENCY | 0.83 | |



Oil Quantity (L)

| B3/H1 | B6/H4 | B7/H3 | B8/H2 | V5/H5 | V6/H6 |
|-------|-------|-------|-------|-------|-------|
| 0.3 | 0.3 | 0.3 | 0.3 | 0.3 | 0.3 |

Radial and Axial Loads



| n_2 [min-1] | FA [N] | FR [N] |
|---------------|--------|--------|
| 200 | 360 | 1800 |
| 100 | 460 | 2300 |
| 50 | 600 | 3000 |
| 15 | 800 | 4000 |

Universal Motors S.A.
Rua Comendador Brandão, 484
4495-375 Póvoa de Varzim
geral@universalmotors.pt
TEL.: 252 299 080

Universal Motors UK, Ltd
Unit E2, Meltham Mills Road
West Yorkshire HD9 4AR
enquiries@universalmotors-group.co.uk
TEL.: +44(0) 1484660222

Universal Motors SL
C/La Habana n.6 nave 4 PI Camporoso
28806 Alcala de Henares
info@universalmotors-group.es
TEL.: 918 864 213

PQ63FB... Basic wormbox
Riduttore base

Gearbox weight
peso riduttore **6.00 kg**

| M. flanges | Kit code | øF | A |
|----------------|------------|-----|------|
| 63B5 | K063.4.041 | 140 | 99.5 |
| 71B5 | K063.4.042 | 160 | 97.5 |
| 80/90B5 | K063.4.043 | 200 | 99.5 |
| 71B14 | K063.4.047 | 105 | 97.5 |
| 80B14 | K063.4.046 | 120 | 99.5 |
| 90B14 | K063.4.041 | 140 | 99.5 |



PQ63FC... Square flange
Flangia quadrata

PQ63F1... Round flange
Flangia rotonda



| type B | øD | E | G | L | N | O | P | Q | kit code |
|-----------|---|---|----|-----|----|-----|-----|----|------------------------------|
| FC | 115 ^{+0.20} / _{+0.15} | 6 | 12 | 86 | 26 | 150 | 180 | 11 | ① KQ63.9.010 ② - |
| FL | 115 ^{+0.20} / _{+0.15} | 6 | 12 | 116 | 56 | 150 | 180 | 11 | ① KQ63.9.010 ② K063.0.200 |

| type S | øD | E | G | L | N | O | P | Q | kit code |
|-----------|---|---|----|-----|----|-----|-----|----|----------------------|
| F1 | 130 ^{+0.20} / _{+0.15} | 7 | 13 | 110 | 50 | 165 | 200 | 13 | ① KS070.9.013 ② - |
| F2 | 115 ^{+0.20} / _{+0.15} | 7 | 13 | 124 | 64 | 150 | 175 | 11 | ① KS063.9.013 ② - |
| F3 | 110 ^{+0.035} / ₀ | 5 | 11 | 90 | 30 | 130 | 160 | 10 | ① KS063.9.011 ② - |

PQ63FB... Feet
Piedini

PQ63BR... Reaction arm
Braccio di reazione



RQ63FB... Input shaft
Albero in entrata

PQ63.....S... Single Shaft
Albero lento semplice

PQ63.....D... Double Shaft
Albero lento bisp.



① kit cod. K063.5.028 type B ② kit cod. K063.5.029 type B

| | ød | e | g | l | m | x | kit code |
|--------|-------|------|---|----|----|-------|--|
| type B | 18 h6 | 20.5 | 6 | 45 | 93 | M6x16 | ① K063.5.006 PAM80 ② K063.5.007 PAM90 |
| type S | 19 h6 | 21.5 | 6 | 40 | 93 | M8x20 | ① KS063.5.008 PAM80 ② KS063.5.009 PAM90 |

| | b1 | c1 | d1 | e1 | f1 | l1 | m1 | n1 | t2 | o1 |
|--------|----|----|--|------|-----|-------|-------|-----|----|-------|
| type B | 8 | 60 | 25 ^{-0.005} / _{-0.020} | 63.2 | 120 | 246.4 | 126.8 | 190 | 28 | M8x20 |
| type S | - | - | - | - | - | - | - | - | - | - |