

Technical Data Sheet  
Gearbox  
WORM GEARBOX SQUARE DESIGN



MODEL	Q63	
Ø OUTPUT SHAFT	25	mm
APPROXIMATE RATIO	20	
EXACT RATIO	19.00	
OUTPUT SPEED	73	RPM
EXACT OUTPUT SPEED	77	RPM
INPUT POWER	0.55	KW
INPUT ROTATION	1400	RPM
INPUT PAM	80B5	
OUTPUT TORQUE	55.60	N.m
NOMINAL TORQUE	138.00	N.m
NOMINAL POWER	1.4	KW
SERVICE FACTOR	2.55	
DYNAMIC EFFICIENCY	0.78	



Oil Quantity (L)

B3/H1	B6/H4	B7/H3	B8/H2	V5/H5	V6/H6
0.3	0.3	0.3	0.3	0.3	0.3

Radial and Axial Loads



$n_2$ [min-1]	FA [N]	FR [N]
200	360	1800
100	460	2300
50	600	3000
15	800	4000

Universal Motors S.A.  
Rua Comendador Brandão, 484  
4495-375 Póvoa de Varzim  
[geral@universalmotors.pt](mailto:geral@universalmotors.pt)  
TEL.: 252 299 080

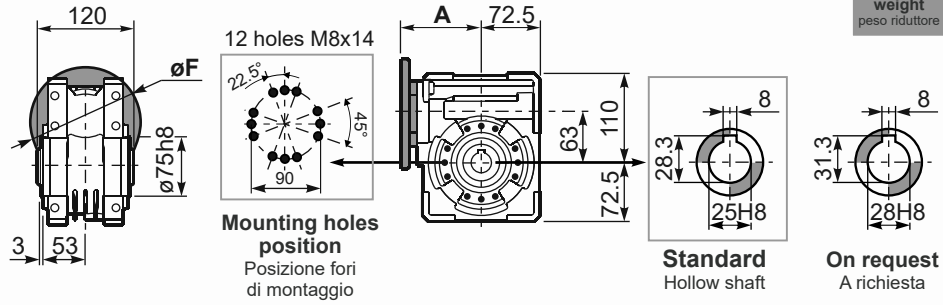
Universal Motors UK, Ltd  
Unit E2, Meltham Mills Road  
West Yorkshire HD9 4AR  
[enquiries@universalmotors-group.co.uk](mailto:enquiries@universalmotors-group.co.uk)  
TEL.: +44(0) 1484660222

Universal Motors SL  
C/La Habana n.6 nave 4 PI Camporoso  
28806 Alcala de Henares  
[info@universalmotors-group.es](mailto:info@universalmotors-group.es)  
TEL.: 918 864 213

**PQ63FB...** Basic wormbox  
Riduttore base

Gearbox weight  
peso riduttore **6.00 kg**

M. flanges	Kit code	øF	A
<b>63B5</b>	K063.4.041	140	99.5
<b>71B5</b>	K063.4.042	160	97.5
<b>80/90B5</b>	K063.4.043	200	99.5
<b>71B14</b>	K063.4.047	105	97.5
<b>80B14</b>	K063.4.046	120	99.5
<b>90B14</b>	K063.4.041	140	99.5



**PQ63FC...** Square flange  
Flangia quadrata

**PQ63F1...** Round flange  
Flangia rotonda

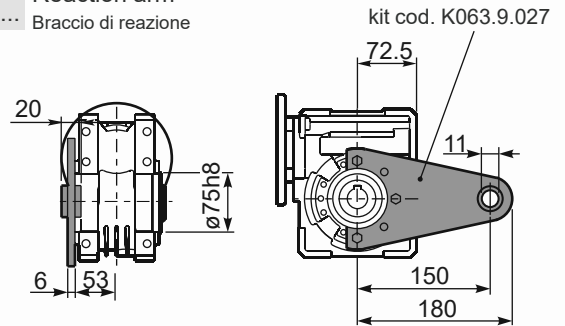


type B	øD	E	G	L	N	O	P	Q	kit code
<b>FC</b>	115 <sup>+0.20</sup> / <sub>+0.15</sub>	6	12	86	26	150	180	11	1 KQ63.9.010 2 -
<b>FL</b>	115 <sup>+0.20</sup> / <sub>+0.15</sub>	6	12	116	56	150	180	11	1 KQ63.9.010 2 K063.0.200

type S	øD	E	G	L	N	O	P	Q	kit code
<b>F1</b>	130 <sup>+0.20</sup> / <sub>+0.15</sub>	7	13	110	50	165	200	13	1 KS070.9.013 2 -
<b>F2</b>	115 <sup>+0.20</sup> / <sub>+0.15</sub>	7	13	124	64	150	175	11	1 KS063.9.013 2 -
<b>F3</b>	110 <sup>+0.035</sup> / <sub>0</sub>	5	11	90	30	130	160	10	1 KS063.9.011 2 -

**PQ63FB...** Feet  
Piedini

**PQ63BR...** Reaction arm  
Braccio di reazione



**RQ63FB...** Input shaft  
Albero in entrata

**PQ63.....S...** Single Shaft  
Albero lento semplice

**PQ63.....D...** Double Shaft  
Albero lento bisp.



1 kit cod. K063.5.028 type B    2 kit cod. K063.5.029 type B

	ød	e	g	l	m	x	kit code
type B	18 h6	20.5	6	45	93	M6x16	1 K063.5.006 PAM80 2 K063.5.007 PAM90
type S	19 h6	21.5	6	40	93	M8x20	1 KS063.5.008 PAM80 2 KS063.5.009 PAM90

	b1	c1	d1	e1	f1	l1	m1	n1	t2	o1
type B	8	60	25 <sup>-0.005</sup> / <sub>-0.020</sub>	63.2	120	246.4	126.8	190	28	M8x20
type S	-	-	-	-	-	-	-	-	-	-