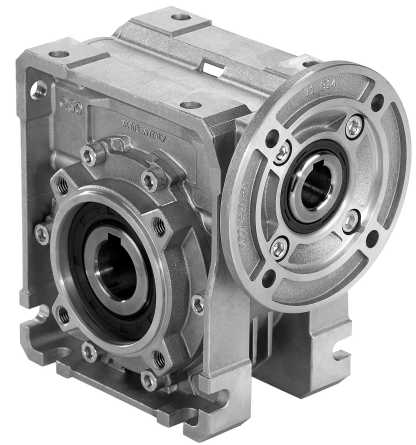


Technical Data Sheet  
 Gearbox  
 WORM GEARBOX SQUARE DESIGN



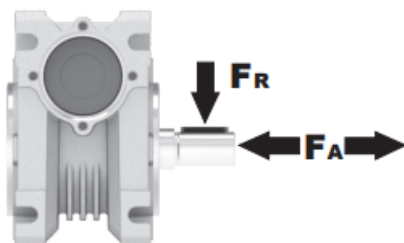
MODEL	Q75	
Ø OUTPUT SHAFT	30	mm
APPROXIMATE RATIO	15	
EXACT RATIO	15.00	
OUTPUT SPEED	97	RPM
EXACT OUTPUT SPEED	97	RPM
INPUT POWER	1.10	KW
INPUT ROTATION	1400	RPM
INPUT PAM	90B14	
OUTPUT TORQUE	95.66	N.m
NOMINAL TORQUE	250.00	N.m
NOMINAL POWER	2.9	KW
SERVICE FACTOR	2.64	
DYNAMIC EFFICIENCY	0.85	



Oil Quantity (L)

B3/H1	B6/H4	B7/H3	B8/H2	V5/H5	V6/H6
0.4	0.4	0.4	0.4	0.4	0.4

Radial and Axial Loads



$n_2$ [min <sup>-1</sup> ]	FA [N]	FR [N]
200	460	2300
100	560	2800
50	720	3600
15	1000	5000

Universal Motors S.A.  
 Rua Comendador Brandão, 484  
 4495-375 Póvoa de Varzim  
[geral@universalmotors.pt](mailto:geral@universalmotors.pt)  
 TEL.: 252 299 080

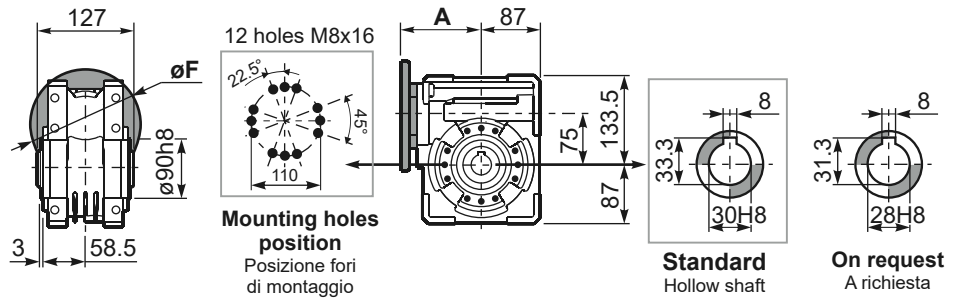
Universal Motors UK, Ltd  
 Unit E2, Meltham Mills Road  
 West Yorkshire HD9 4AR  
[enquiries@universalmotors-group.co.uk](mailto:enquiries@universalmotors-group.co.uk)  
 TEL.: +44(0) 1484660222

Universal Motors SL  
 C/La Habana n.6 nave 4 PI Camporoso  
 28806 Alcalá de Henares  
[info@universalmotors-group.es](mailto:info@universalmotors-group.es)  
 TEL.: 918 864 213

**PQ75FB...** Basic wormbox  
Riduttore base

Gearbox weight  
peso riduttore **8.70 kg**

M. flanges	Kit code	øF	A
<b>71B5</b>	K023.4.041	160	114
<b>80/90B5</b>	K023.4.042	200	116
<b>100/112B5</b>	K023.4.043	250	125
<b>80B14</b>	K085.4.046	120	116
<b>90B14</b>	K085.4.045	140	116
<b>100/112B14</b>	K085.4.047	160	125



**PQ75FC...** Square flange  
Flangia quadrata



**PQ75FL...** Square flange  
Flangia quadrata



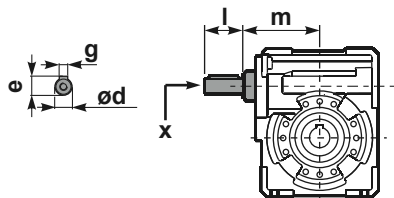
**PQ75FB...** Feet  
Piedini



**PQ75BR...** Reaction arm  
Braccio di reazione



**RQ75FB...** Input shaft  
Albero in entrata



**PQ75....S...** Single Shaft  
Albero lento semplice

**PQ75....D...** Double Shaft  
Albero lento bisp.



① kit cod. KQ75.5.028 Standard  
kit cod. KQ75.5.026 On request

② kit cod. KQ75.5.029 Standard

	ød	e	g	l	m	x	kit code
type B	25 h6	27.8	8	50	109.5	M8x20	KQ75.5.006 PAM80 K085.5.007 PAM90 K085.5.008 PAM100

	b1	c1	d1	e1	f1	l1	m1	n1	t2	o1
Standard	8	60	30 <sup>-0.005</sup> <sub>-0.020</sub>	65	127	255	134	199	33	M8x20
On request	8	60	28 <sup>-0.005</sup> <sub>-0.020</sub>	65	-	-	134	199	31	M8x20