

Technical Data Sheet
Gearbox
WORM GEARBOX SQUARE DESIGN



| | | |
|--------------------|--------|-----|
| MODEL | Q85 | |
| Ø OUTPUT SHAFT | 35 | mm |
| APPROXIMATE RATIO | 75 | |
| EXACT RATIO | 74.00 | |
| OUTPUT SPEED | 19 | RPM |
| EXACT OUTPUT SPEED | 20 | RPM |
| INPUT POWER | 1.10 | KW |
| INPUT ROTATION | 1400 | RPM |
| INPUT PAM | 90B5 | |
| OUTPUT TORQUE | 322.03 | N.m |
| NOMINAL TORQUE | 268.00 | N.m |
| NOMINAL POWER | 0.91 | KW |
| SERVICE FACTOR | 0.83 | |
| DYNAMIC EFFICIENCY | 0.58 | |



Oil Quantity (L)

| B3/H1 | B6/H4 | B7/H3 | B8/H2 | V5/H5 | V6/H6 |
|-------|-------|-------|-------|-------|-------|
| 1.2 | 1.2 | 1.2 | 1.2 | 1.2 | 1.2 |

Radial and Axial Loads



| n_2 [min ⁻¹] | FA [N] | FR [N] |
|----------------------------|--------|--------|
| 200 | 500 | 2500 |
| 100 | 600 | 3000 |
| 50 | 800 | 4000 |
| 15 | 1160 | 5800 |

Universal Motors S.A.
Rua Comendador Brandão, 484
4495-375 Póvoa de Varzim
geral@universalmotors.pt
TEL.: 252 299 080

Universal Motors UK, Ltd
Unit E2, Meltham Mills Road
West Yorkshire HD9 4AR
enquiries@universalmotors-group.co.uk
TEL.: +44(0) 1484660222

Universal Motors SL
C/La Habana n.6 nave 4 PI Camporoso
28806 Alcalá de Henares
info@universalmotors-group.es
TEL.: 918 864 213

PQ85**FB**... Basic wormbox
Riduttore base

Gearbox weight
peso riduttore **12.1 kg**

| M. flanges | Kit code | øF | A |
|------------|------------|-----|-------|
| 71B5 | K023.4.041 | 160 | 116.5 |
| 80/90B5 | K023.4.042 | 200 | 118.5 |
| 100/112B5 | K023.4.043 | 250 | 127.5 |
| 80B14 | K085.4.046 | 120 | 118.5 |
| 90B14 | K085.4.045 | 140 | 118.5 |
| 100/112B14 | K085.4.047 | 160 | 127.5 |



PQ85**FC**... Output flange
Flangia uscita

PQ85**F1**... Output flange
Flangia uscita

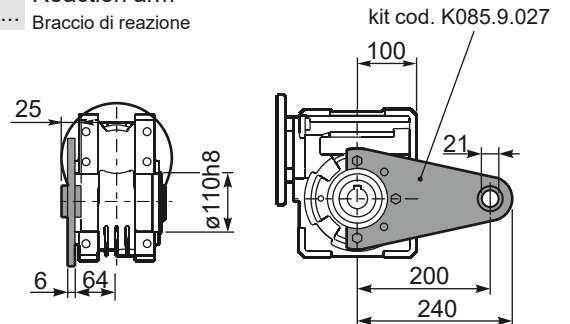


| type B | øD | E | G | L | N | O | P | Q | kit code |
|--------|---|---|----|-------|------|-----|-----|----|------------------------------|
| FC | 152 ^{+0.06} / _{+0.00} | 5 | 16 | 108 | 40.5 | 176 | 205 | 13 | ① K085.9.010 ② - |
| FL | 152 ^{+0.06} / _{+0.00} | 5 | 16 | 148.5 | 81 | 176 | 205 | 13 | ① K085.9.010 ② K085.0.201 |

| type S | øD | E | G | L | N | O | P | Q | kit code |
|--------|---|---|----|-------|----|-----|-----|------|----------------------|
| F1 | 130 H7 | 5 | 13 | 117.5 | 50 | 165 | 200 | 11.5 | ① KS085.9.012 ② - |
| F2 | 152 ^{+0.06} / _{+0.00} | 5 | 15 | 147.5 | 80 | 180 | 205 | 12.5 | ① KS085.9.013 ② - |
| F4 | 130 H7 | 5 | 13 | 106.5 | 39 | 165 | 200 | 13 | ① KS085.9.015 ② - |

PQ85**FB**... Feet
Piedini

PQ85**BR**... Reaction arm
Braccio di reazione



RQ85**FB**... Input shaft
Albero in entrata

PQ85.....**S**... Single Shaft
Albero lento semplice

PQ85.....**D**... Double Shaft
Albero lento bisp.



① kit cod. K085.5.028 type B ② kit cod. K085.5.029 type B

| | ød | e | g | l | m | x | kit code |
|--------|-------|----|---|----|-----|-------|---|
| type B | 25 h6 | 28 | 8 | 50 | 112 | M8x20 | ① K085.5.007 PAM90 ② K085.5.008 PAM100 |
| type S | 24 h6 | 27 | 8 | 50 | 112 | M8x20 | ① KS085.5.009 PAM90 ② KS085.5.011 PAM100 |

| | b1 | c1 | d1 | e1 | f1 | l1 | m1 | n1 | t2 | o1 |
|--------|----|----|--|------|-----|-----|-----|-------|----|--------|
| type B | 10 | 60 | 35 ^{-0.005} / _{-0.020} | 73.5 | 135 | 282 | 141 | 214.5 | 38 | M10x23 |
| type S | - | - | - | - | - | - | - | - | - | - |