

Technical Data Sheet  
 Gearbox  
 WORM GEARBOX SQUARE DESIGN



MODEL	M13	
Ø OUTPUT SHAFT	45	mm
APPROXIMATE RATIO	30	
EXACT RATIO	30.00	
OUTPUT SPEED	49	RPM
EXACT OUTPUT SPEED	49	RPM
INPUT POWER	5.50	KW
INPUT ROTATION	1400	RPM
INPUT PAM	132B5	
OUTPUT TORQUE	900.36	N.m
NOMINAL TORQUE	1047.00	N.m
NOMINAL POWER	6.4	KW
SERVICE FACTOR	1.16	
DYNAMIC EFFICIENCY	0.80	



Oil Quantity (L)

B3/H1	B6/H4	B7/H3	B8/H2	V5/H5	V6/H6
4.5	3.5	3.5	3.3	4.5	3.3

Radial and Axial Loads



$n_2$ [min <sup>-1</sup> ]	FA [N]	FR [N]
200	960	4800
100	1240	6200
50	1560	7800
15	2400	12000

Universal Motors S.A.  
 Rua Comendador Brandão, 484  
 4495-375 Póvoa de Varzim  
[geral@universalmotors.pt](mailto:geral@universalmotors.pt)  
 TEL.: 252 299 080

Universal Motors UK, Ltd  
 Unit E2, Meltham Mills Road  
 West Yorkshire HD9 4AR  
[enquiries@universalmotors-group.co.uk](mailto:enquiries@universalmotors-group.co.uk)  
 TEL.: +44(0) 1484660222

Universal Motors SL  
 C/La Habana n.6 nave 4 PI Camporoso  
 28806 Alcala de Henares  
[info@universalmotors-group.es](mailto:info@universalmotors-group.es)  
 TEL.: 918 864 213

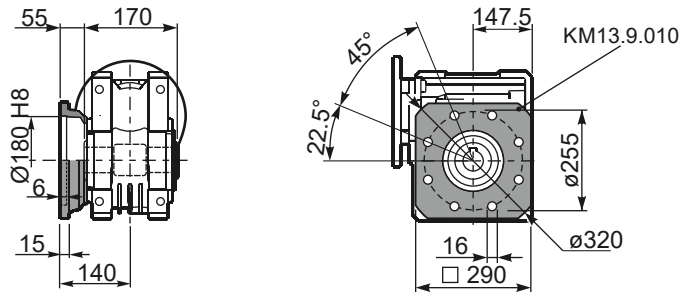
PM13**FB**... Basic wormbox  
Riduttore base

Gearbox weight  
peso riduttore **48.0 kg**

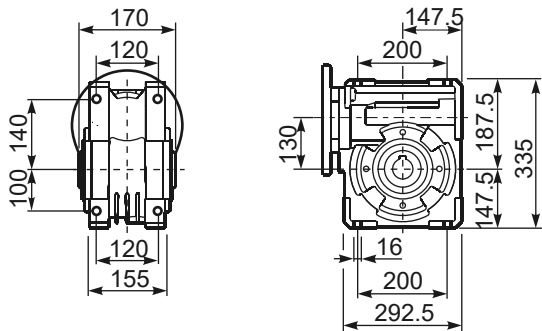
M. flanges	Kit code	øF	A
90B5	KM13.4.041	200	180
100/112B5	KM13.4.042	250	180
132B5	KM13.4.043	300	180



PM13**FC**... Square flange  
Flangia quadrata



PM13**FB**... Feet  
Piedini



PM13**BR**... Reaction arm  
Braccio di reazione



PM13....**S**... Single Shaft  
Albero lento semplice

PM13....**D**... Double Shaft  
Albero lento bisp.



① kit cod. KM13.5.028 type B

② kit cod. KM13.5.029 type B

	b1	c1	d1	e1	f1	l1	m1	n1	t2	o1
type	14	80	45 <sup>-0.005</sup> <sub>-0.020</sub>	85	170	340	180	265	48.5	M16
type	-	-	-	-	-	-	-	-	-	-