

|                            |        |     |
|----------------------------|--------|-----|
| MODELO                     | X33S   |     |
| Ø EJE DE SALIDA            | 20     | mm  |
| RELACIÓN APROXIMADA        | 92     |     |
| RELACIÓN EXACTA            | 92.31  |     |
| VELOCIDAD DE SALIDA        | 16     | RPM |
| VELOCIDAD DE SALIDA EXACTA | 16     | RPM |
| POTENCIA DE ENTRADA        | 0.12   | KW  |
| ROTACIÓN DE ENTRADA        | 1400   | RPM |
| PAM DE ENTRADA             | 63B14  |     |
| PAR DE SALIDA              | 71.02  | N.m |
| PAR NOMINAL                | 100.00 | N.m |
| POTENCIA NOMINAL           | 0.17   | KW  |
| FACTOR DE SERVICIO         | 1.42   |     |
| EFICIENCIA DINÁMICA        | 0.94   |     |

#### Cantidad de Aceite (L)

| B3/H1 | B6/H4 | B7/H3 | B8/H2 | V5/H5 | V6/H6 |
|-------|-------|-------|-------|-------|-------|
| 0.7   | 0.65  | 0.4   | 0.65  | 0.95  | 0.65  |

#### Cargas Radiales y Axiales



| $n_2$ [min-1] | $F_A$ [N] | $F_R$ [N] |
|---------------|-----------|-----------|
| 250           | 400       | 2000      |
| 100           | 500       | 2500      |
| 50            | 560       | 2800      |
| 15            | 560       | 2800      |

**PX33SC...** Basic Gearbox  
Riduttore base

Gearbox weight  
peso riduttore **6.55 kg**

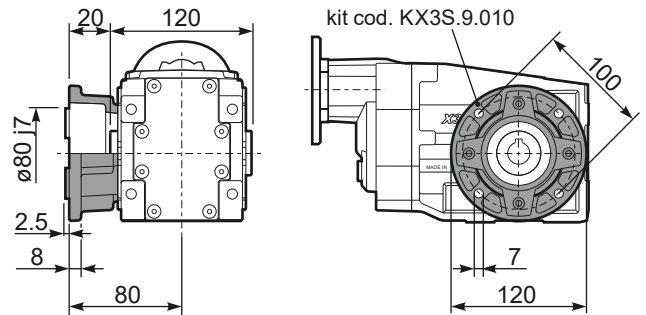
| M. flanges   | Kit code   | øF  | A     |
|--------------|------------|-----|-------|
| <b>63B5</b>  | K050.4.041 | 138 | 189.5 |
| <b>71B5</b>  | K050.4.042 | 160 | 187   |
| <b>56B14</b> | KC40.4.049 | 80  | 187   |
| <b>63B14</b> | K050.4.047 | 90  | 189.5 |
| <b>71B14</b> | K050.4.045 | 105 | 187   |



**PX33S...FB..** Feet  
Piedini



**PX33S...-F1..** Output flange  
Flangia uscita



**PX33S...-F2..** Output flange  
Flangia uscita



**PX33S...BR..** Reaction Arm  
Braccio di reazione



**RX33S...** Input shaft  
Albero in entrata



**PX33SA..** Single output shaft  
Albero semplice in uscita



| d1                                      | b1 | c1   | e1   | m1    | n1  | t2   | o1    | 1 kit code |
|---|----|------|------|-------|-----|------|-------|------------|
| ø20 k6                                  | 6  | 37.5 | 40   | 120   | 160 | 22.5 | M8x20 | KX2S.5.028 |
| ø25 <sup>-0.005</sup> <sub>-0.020</sub> | 8  | 60   | 63.2 | 126.8 | 190 | 28   | M8x20 | K063.5.028 |