

| | | |
|----------------------------|--------|-----|
| MODELO | X42A | |
| Ø EJE DE SALIDA | 25 | mm |
| RELACIÓN APROXIMADA | 38 | |
| RELACIÓN EXACTA | 38.12 | |
| VELOCIDAD DE SALIDA | 38 | RPM |
| VELOCIDAD DE SALIDA EXACTA | 38 | RPM |
| POTENCIA DE ENTRADA | 0.37 | KW |
| ROTACIÓN DE ENTRADA | 1400 | RPM |
| PAM DE ENTRADA | 71B14 | |
| PAR DE SALIDA | 92.36 | N.m |
| PAR NOMINAL | 150.00 | N.m |
| POTENCIA NOMINAL | 0.6 | KW |
| FACTOR DE SERVICIO | 1.62 | |
| EFICIENCIA DINÁMICA | 0.96 | |

Cantidad de Aceite (L)

| B3/H1 | B6/H4 | B7/H3 | B8/H2 | V5/H5 | V6/H6 |
|-------|-------|-------|-------|-------|-------|
| 0.6 | 0.75 | 0.5 | 0.7 | 1.1 | 0.6 |

Cargas Radiales y Axiales

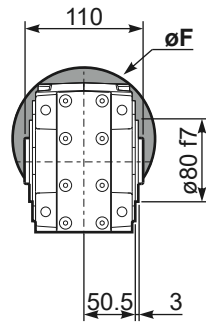


| n_2 [min-1] | F_A [N] | F_R [N] |
|---------------|-----------|-----------|
| 250 | 500 | 2500 |
| 100 | 700 | 3500 |
| 50 | 960 | 4800 |
| 15 | 960 | 4800 |

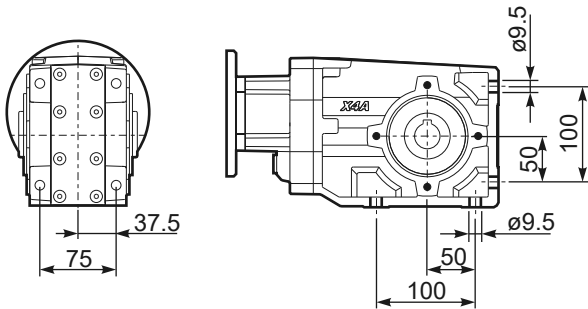
PX42AC... Basic Gearbox
Riduttore base

Gearbox weight
peso riduttore **7.82 kg**

| M. flanges | Kit code | øF | A |
|-------------------|------------|-----|-------|
| 63B5 | K063.4.041 | 140 | 199.5 |
| 71B5 | K063.4.042 | 160 | 197.5 |
| 80/90B5 | K063.4.043 | 200 | 199.5 |
| 100/112B5 | KC40.4.043 | 250 | 214.3 |
| 71B14 | K063.4.047 | 105 | 197.5 |
| 80B14 | K063.4.046 | 120 | 199.5 |
| 90B14 | K063.4.041 | 140 | 199.5 |
| 100/112B14 | KC40.4.041 | 160 | 214.5 |



PX42A...FB.. Feet
Piedini



PX42A...-F2.. Output flange
Flangia uscita



PX42A...-F3.. Output flange
Flangia uscita



PX42A...BR.. Reaction Arm
Braccio di reazione



RX42A... Input shaft
Albero in entrata



PX42AA.. Single output shaft
Albero semplice in uscita

