

|                            |        |     |
|----------------------------|--------|-----|
| MODELO                     | X42A   |     |
| Ø EJE DE SALIDA            | 25     | mm  |
| RELACIÓN APROXIMADA        | 45     |     |
| RELACIÓN EXACTA            | 44.89  |     |
| VELOCIDAD DE SALIDA        | 32     | RPM |
| VELOCIDAD DE SALIDA EXACTA | 33     | RPM |
| POTENCIA DE ENTRADA        | 0.37   | KW  |
| ROTACIÓN DE ENTRADA        | 1400   | RPM |
| PAM DE ENTRADA             | 71B5   |     |
| PAR DE SALIDA              | 108.76 | N.m |
| PAR NOMINAL                | 150.00 | N.m |
| POTENCIA NOMINAL           | 0.51   | KW  |
| FACTOR DE SERVICIO         | 1.38   |     |
| EFICIENCIA DINÁMICA        | 0.96   |     |

Cantidad de Aceite (L)

| B3/H1 | B6/H4 | B7/H3 | B8/H2 | V5/H5 | V6/H6 |
|-------|-------|-------|-------|-------|-------|
| 0.6   | 0.75  | 0.5   | 0.7   | 1.1   | 0.6   |

Cargas Radiales y Axiales



| $n_2$ [min-1] | $F_A$ [N] | $F_R$ [N] |
|---------------|-----------|-----------|
| 250           | 500       | 2500      |
| 100           | 700       | 3500      |
| 50            | 960       | 4800      |
| 15            | 960       | 4800      |

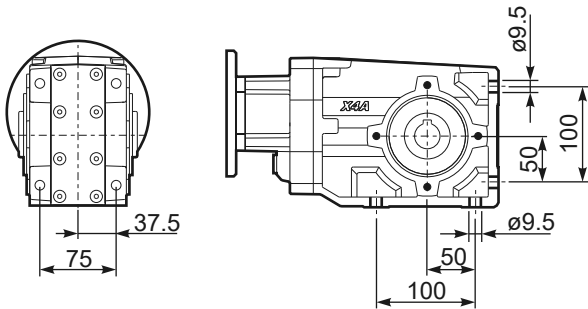
**PX42AC...** Basic Gearbox  
Riduttore base

Gearbox weight **7.82 kg**  
peso riduttore

| M. flanges        | Kit code   | øF  | A     |
|-------------------|------------|-----|-------|
| <b>63B5</b>       | K063.4.041 | 140 | 199.5 |
| <b>71B5</b>       | K063.4.042 | 160 | 197.5 |
| <b>80/90B5</b>    | K063.4.043 | 200 | 199.5 |
| <b>100/112B5</b>  | KC40.4.043 | 250 | 214.3 |
| <b>71B14</b>      | K063.4.047 | 105 | 197.5 |
| <b>80B14</b>      | K063.4.046 | 120 | 199.5 |
| <b>90B14</b>      | K063.4.041 | 140 | 199.5 |
| <b>100/112B14</b> | KC40.4.041 | 160 | 214.5 |



**PX42A...FB..** Feet  
Piedini



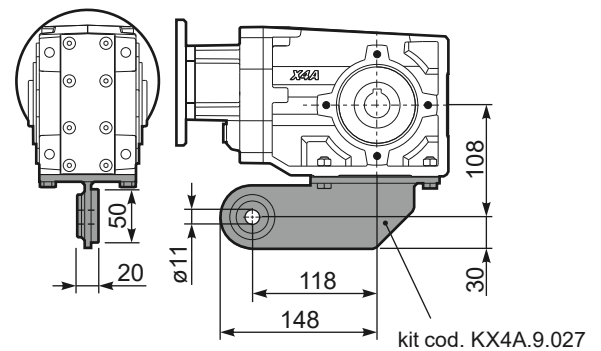
**PX42A...-F2..** Output flange  
Flangia uscita



**PX42A...-F3..** Output flange  
Flangia uscita



**PX42A...BR..** Reaction Arm  
Braccio di reazione



**RX42A...** Input shaft  
Albero in entrata



**PX42AA..** Single output shaft  
Albero semplice in uscita

