

|                            |        |     |
|----------------------------|--------|-----|
| MODELO                     | X62A   |     |
| Ø EJE DE SALIDA            | 35     | mm  |
| RELACIÓN APROXIMADA        | 6      |     |
| RELACIÓN EXACTA            | 6.03   |     |
| VELOCIDAD DE SALIDA        | 243    | RPM |
| VELOCIDAD DE SALIDA EXACTA | 242    | RPM |
| POTENCIA DE ENTRADA        | 4.00   | KW  |
| ROTACIÓN DE ENTRADA        | 1400   | RPM |
| PAM DE ENTRADA             | 112B14 |     |
| PAR DE SALIDA              | 157.94 | N.m |
| PAR NOMINAL                | 240.00 | N.m |
| POTENCIA NOMINAL           | 6.1    | KW  |
| FACTOR DE SERVICIO         | 1.53   |     |
| EFICIENCIA DINÁMICA        | 0.96   |     |

#### Cantidad de Aceite (L)

| B3/H1 | B6/H4 | B7/H3 | B8/H2 | V5/H5 | V6/H6 |
|-------|-------|-------|-------|-------|-------|
| 1.25  | 1.7   | 0.95  | 1.6   | 2.45  | 1.5   |

#### Cargas Radiales y Axiales



| $n_2$ [min-1] | $F_A$ [N] | $F_R$ [N] |
|---------------|-----------|-----------|
| 250           | 600       | 3000      |
| 100           | 780       | 3900      |
| 50            | 1140      | 5700      |
| 15            | 1660      | 8300      |

**PX62AC...** Basic Gearbox  
Riduttore base

Gearbox weight  
peso riduttore **15.80 kg**

| M. flanges        | Kit code   | øF  | A   |
|-------------------|------------|-----|-----|
| <b>71B5</b>       | K023.4.041 | 160 | 253 |
| <b>80/90B5</b>    | K023.4.042 | 200 | 255 |
| <b>100/112B5</b>  | K023.4.043 | 250 | 264 |
| <b>132B5</b>      | KC50.4.043 | 300 | 282 |
| <b>80B14</b>      | K085.4.046 | 120 | 255 |
| <b>90B14</b>      | K085.4.045 | 140 | 255 |
| <b>100/112B14</b> | K085.4.047 | 160 | 264 |
| <b>132B14</b>     | KC50.4.041 | 200 | 282 |



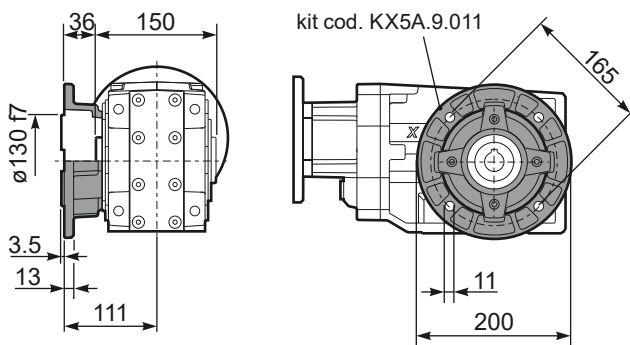
**PX62A...FB..** Feet  
Piedini



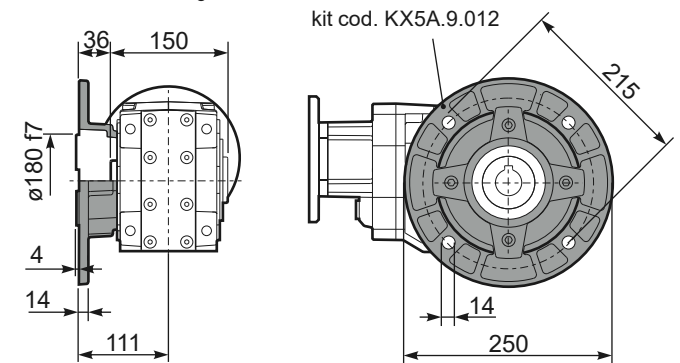
**PX62A...-F2..** Output flange  
Flangia uscita



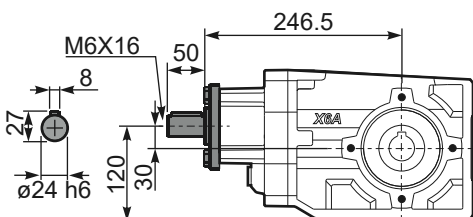
**PX62A...-F3..** Output flange  
Flangia uscita



**PX62A...-F4..** Output flange  
Flangia uscita



**RX62A...** Input shaft  
Albero in entrata



**PX62A...BR..** Reaction Arm  
Braccio di reazione



**PX62AA..** Single output shaft  
Albero semplice in uscita

