

|                            |        |     |
|----------------------------|--------|-----|
| MODELO                     | FA42   |     |
| Ø EJE DE SALIDA            | 30     | mm  |
| RELACIÓN APROXIMADA        | 22     |     |
| RELACIÓN EXACTA            | 22.30  |     |
| VELOCIDAD DE SALIDA        | 66     | RPM |
| VELOCIDAD DE SALIDA EXACTA | 65     | RPM |
| POTENCIA DE ENTRADA        | 1.10   | KW  |
| ROTACIÓN DE ENTRADA        | 1400   | RPM |
| PAM DE ENTRADA             | 90B14  |     |
| PAR DE SALIDA              | 160.62 | N.m |
| PAR NOMINAL                | 320.00 | N.m |
| POTENCIA NOMINAL           | 2.2    | KW  |
| FACTOR DE SERVICIO         | 2.00   |     |
| EFICIENCIA DINÁMICA        | 0.96   |     |



Cantidad de Aceite (L)

| B3/H1 | B6/H4 | B7/H3 | B8/H2 | V5/H5 | V6/H6 |
|-------|-------|-------|-------|-------|-------|
| 1.15  | 0.7   | 0.7   | 0.7   | 1.2   | 0.8   |

Cargas Radiales y Axiales



| $n_2$ [min-1] | FA [N] | FR [N] |
|---------------|--------|--------|
| 300           | 300    | 1500   |
| 200           | 350    | 1750   |
| 120           | 410    | 2050   |
| 15            | 800    | 4000   |

## PFA42C...

Basic gearbox  
Riduttore base

Gearbox weight  
peso riduttore **9.0 kg**

| M. flanges | Kit code   | øF  | A     |
|------------|------------|-----|-------|
| 63B5       | K063.4.041 | 140 | 169.5 |
| 71B5       | K063.4.042 | 160 | 167.5 |
| 80/90B5    | K063.4.043 | 200 | 169.5 |
| 100/112B5  | KC40.4.043 | 250 | 184.5 |
| 71B14      | K063.4.047 | 105 | 167.5 |
| 80B14      | K063.4.046 | 120 | 169.5 |
| 90B14      | K063.4.041 | 140 | 169.5 |
| 100/112B14 | KC40.4.041 | 160 | 184.5 |

● Available torque arms,  
see our web site  
Bracci di reazione disponibili,  
consulta il nostro sito web



**Standard**  
Hollow shaft

**On request**  
A richiesta

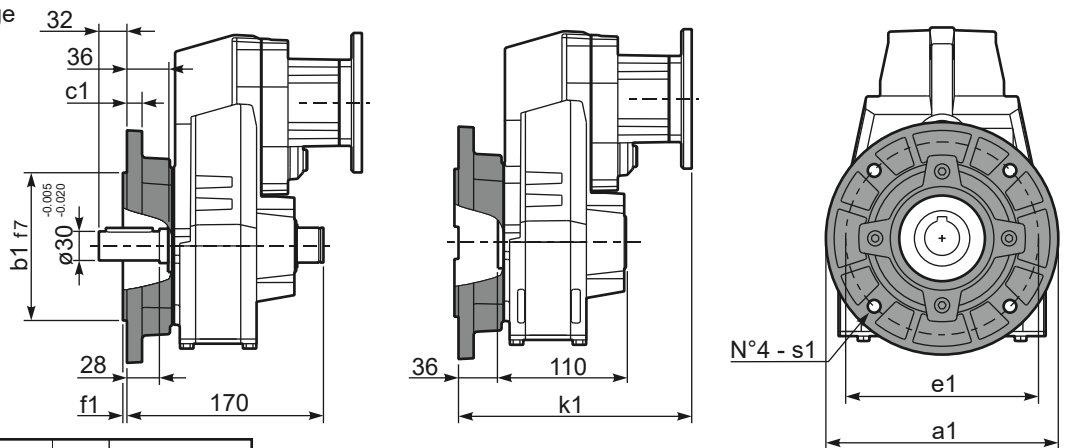
## PFA42...-F...

Output flange  
Flangia uscita

| Motor Flange | k1    |
|--------------|-------|
| 63B5         | 205.5 |
| 71B5         | 203.5 |
| 80/90B5      | 205.5 |
| 100/112B5    | 220.5 |
| 71B14        | 203.5 |
| 80B14        | 205.5 |
| 90B14        | 205.5 |
| 100/112B14   | 220.5 |

Available output flanges  
Flange di uscita

| a1 ø | b1  | c1 | e1  | f1  | s1 | Kit code   |
|------|-----|----|-----|-----|----|------------|
| 160  | 110 | 10 | 130 | 3   | 9  | KX5A.9.010 |
| 200  | 130 | 13 | 165 | 3.5 | 11 | KX5A.9.011 |
| 250  | 180 | 14 | 215 | 4   | 14 | KX5A.9.012 |



## RFA42C...

Input Shaft  
Albero in entrata



## PFA42 A...

Single output shaft  
Albero uscita semplice



Kit. Cod KX5A.5.028

## PFA42D...

Shrink disk  
Calettatore

Kit. Cod KF40.0.210LM

