

Ficha Técnica
 Reductor de velocidad
 SIN-FIN CORONA REDONDO



| | | |
|----------------------------|-------|-----|
| MODELO | 045 | |
| Ø EJE DE SALIDA | 18 | mm |
| RELACIÓN APROXIMADA | 60 | |
| RELACIÓN EXACTA | 60.00 | |
| VELOCIDAD DE SALIDA | 24 | RPM |
| VELOCIDAD DE SALIDA EXACTA | 24 | RPM |
| POTENCIA DE ENTRADA | 0.09 | KW |
| ROTACIÓN DE ENTRADA | 1400 | RPM |
| PAM DE ENTRADA | 56B14 | |
| PAR DE SALIDA | 20.63 | N.m |
| PAR NOMINAL | 41.00 | N.m |
| POTENCIA NOMINAL | 0.18 | KW |
| FACTOR DE SERVICIO | 2.00 | |
| EFICIENCIA DINÁMICA | 0.56 | |



Cantidad de Aceite (L)

| B3/H1 | B6/H4 | B7/H3 | B8/H2 | V5/H5 | V6/H6 |
|-------|-------|-------|-------|-------|-------|
| 0.09 | 0.09 | 0.09 | 0.09 | 0.09 | 0.09 |

Cargas Radiales y Axiales



| n_2 [min-1] | FA [N] | FR [N] |
|---------------|--------|--------|
| 200 | 180 | 900 |
| 100 | 220 | 1100 |
| 50 | 260 | 1400 |
| 15 | 400 | 2000 |

Universal Motors S.A.
 Rua Comendador Brandão, 484
 4495-375 Póvoa de Varzim
geral@universalmotors.pt
 TEL.: 252 299 080

Universal Motors UK, Ltd
 Unit E2, Meltham Mills Road
 West Yorkshire HD9 4AR
enquiries@universalmotors-group.co.uk
 TEL.: +44(0) 1484660222

Universal Motors SL
 C/La Habana n.6 nave 4 PI Camporroso
 28806 Alcala de Henares
info@universalmotors-group.es
 TEL.: 918 864 213

P045FB... Basic wormbox
Riduttore base

Gearbox weight
peso riduttore **2.40 kg**

| M. flanges | Kit code | øF | A |
|--------------|------------|-----|------|
| 63B5 | K050.4.041 | 138 | 74 |
| 71B5 | K050.4.042 | 160 | 71.5 |
| 56B14 | KC40.4.049 | 80 | 71.5 |
| 63B14 | K050.4.047 | 90 | 74 |
| 71B14 | K050.4.045 | 105 | 71.5 |



P045PA... Feet
Piedini

P045PB... Feet
Piedini

P045PV... Feet
Piedini



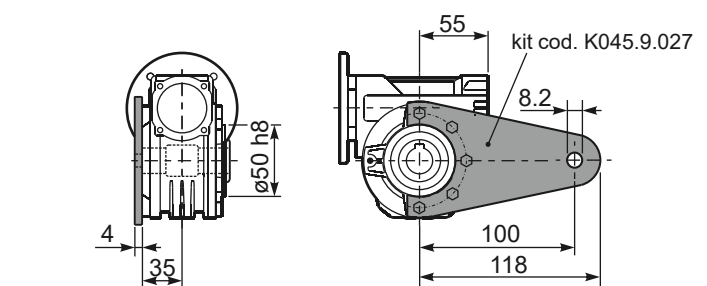
| | H | R | S | T | U | V | Y | W | øZ | kit code |
|--------|----|----|---|-----|----|----|-----|-----|-------|-------------|
| type B | 72 | 81 | 3 | 100 | 52 | 98 | 121 | 144 | ø10.5 | K045.9.022 |
| type S | 71 | 84 | 8 | 100 | 70 | 90 | 120 | 143 | ø8 | KS045.9.023 |

P045FC... Output flange
Flangia uscita

P045BR... Reaction arm
Braccio di reazione

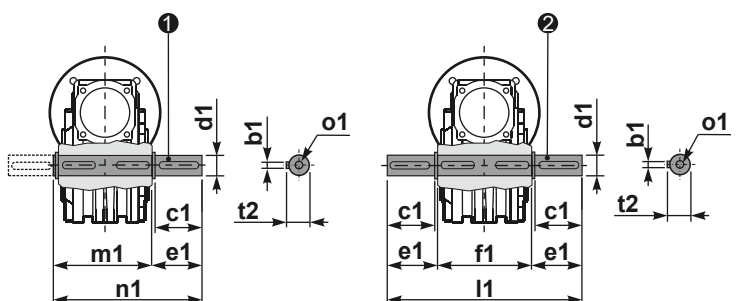


| type B | øD | E | G | L | N | O | P | Q | kit code |
|-----------|--|---|----|------|----|-----|-----|-----|-------------------------------|
| FC | 60 ^{+0.15} / _{+0.05} | 9 | 9 | 60.5 | 28 | 87 | 110 | 8.5 | 1 K045.9.010 2 - |
| FL | 60 ^{+0.15} / _{+0.05} | 9 | 9 | 90.5 | 58 | 87 | 110 | 8.5 | 1 K045.9.010 2 K045.0.200 |
| type S | øD | E | G | L | N | O | P | Q | kit code |
| F1 | 95 ^{+0.20} / _{+0.15} | 4 | 11 | 73.5 | 41 | 115 | 140 | 9 | 1 KS045.9.013 2 - |
| F2 | 60 ^{+0.15} / _{+0.05} | 9 | 9 | 60.5 | 19 | 87 | 110 | 8.5 | 1 KS045.9.010 2 S045.0.204 |
| F3 | 80 ^{+0.15} / _{+0.10} | 3 | 8 | 51.5 | 19 | 100 | 120 | 9 | 1 KS045.9.014 2 - |



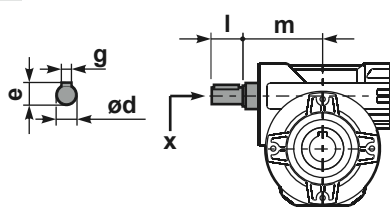
P045.....S... Single Shaft
Albero lento semplice

P045.....D... Double Shaft
Albero lento bisp.



1 kit cod. K045.5.028 type B
kit cod. KS045.5.030 type S
2 kit cod. K045.5.029 type B

R045FB... Input shaft
Albero in entrata



| | ød | e | g | l | m | x | kit code |
|--------|-------|------|---|----|----|---|---------------------------|
| type B | 11 h6 | 12.5 | 4 | 30 | 68 | - | 1 K045.5.006 PAM71 2 - |
| type S | - | - | - | - | - | - | 1 - 2 - |

| | b1 | c1 | d1 | e1 | f1 | l1 | m1 | n1 | t2 | o1 |
|--------|----|----|--|------|----|-----|----|-------|------|-------|
| type B | 6 | 32 | 18 ^{-0.005} / _{-0.020} | 43 | 65 | 151 | 70 | 113 | 20.5 | M6x18 |
| type S | 6 | 40 | 19 ^{-0.005} / _{-0.020} | 58.8 | - | - | 70 | 128.5 | 21.5 | M8x20 |