

Ficha Técnica
 Reductor de velocidad
 SIN-FIN CORONA REDONDO



| | | |
|----------------------------|-------|-----|
| MODELO | 050 | |
| Ø EJE DE SALIDA | 25 | mm |
| RELACIÓN APROXIMADA | 45 | |
| RELACIÓN EXACTA | 43.00 | |
| VELOCIDAD DE SALIDA | 32 | RPM |
| VELOCIDAD DE SALIDA EXACTA | 34 | RPM |
| POTENCIA DE ENTRADA | 0.12 | KW |
| ROTACIÓN DE ENTRADA | 1400 | RPM |
| PAM DE ENTRADA | 63B14 | |
| PAR DE SALIDA | 23.23 | N.m |
| PAR NOMINAL | 68.00 | N.m |
| POTENCIA NOMINAL | 0.35 | KW |
| FACTOR DE SERVICIO | 2.92 | |
| EFICIENCIA DINÁMICA | 0.66 | |



Cantidad de Aceite (L)

| B3/H1 | B6/H4 | B7/H3 | B8/H2 | V5/H5 | V6/H6 |
|-------|-------|-------|-------|-------|-------|
| 0.14 | 0.14 | 0.14 | 0.14 | 0.14 | 0.14 |

Cargas Radiales y Axiales



| n_2 [min-1] | FA [N] | FR [N] |
|---------------|--------|--------|
| 200 | 240 | 1200 |
| 100 | 300 | 1500 |
| 50 | 380 | 1900 |
| 15 | 560 | 2800 |

Universal Motors S.A.
 Rua Comendador Brandão, 484
 4495-375 Póvoa de Varzim
geral@universalmotors.pt
 TEL.: 252 299 080

Universal Motors UK, Ltd
 Unit E2, Meltham Mills Road
 West Yorkshire HD9 4AR
enquiries@universalmotors-group.co.uk
 TEL.: +44(0) 1484660222

Universal Motors SL
 C/La Habana n.6 nave 4 PI Camporosso
 28806 Alcalá de Henares
info@universalmotors-group.es
 TEL.: 918 864 213

P050FB... Basic wormbox
Riduttore base

Gearbox weight
peso riduttore **3.00 kg**

| M. flanges | Kit code | øF | A |
|--------------|------------|-----|------|
| 63B5 | K050.4.041 | 138 | 78.5 |
| 71B5 | K050.4.042 | 160 | 76 |
| 80B5 | K050.4.043 | 200 | 76.5 |
| 56B14 | KC40.4.049 | 80 | 76 |
| 63B14 | K050.4.047 | 90 | 78.5 |
| 71B14 | K050.4.045 | 105 | 76 |
| 80B14 | K050.4.046 | 120 | 76.5 |



P050PA... Feet
Piedini

P050PB... Feet
Piedini

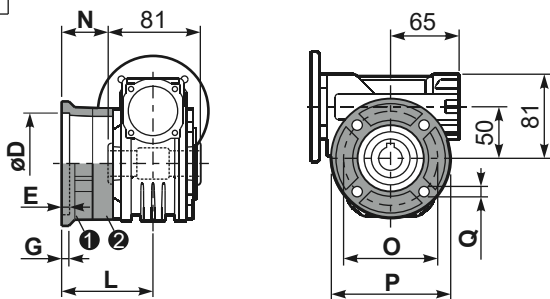
P050PV... Feet
Piedini



| | H | R | S | T | U | V | Y | W | øZ | kit code |
|--------|----|------|-----|-----|----|-----|-------|-----|-------|-------------|
| type B | 82 | 98.5 | 3.5 | 123 | 63 | 113 | 138.5 | 163 | ø10.5 | K050.9.022 |
| type S | 85 | 96 | 10 | 114 | 85 | 110 | 139.5 | 166 | ø10 | KS050.9.023 |

P050FC... Output flange
Flangia uscita

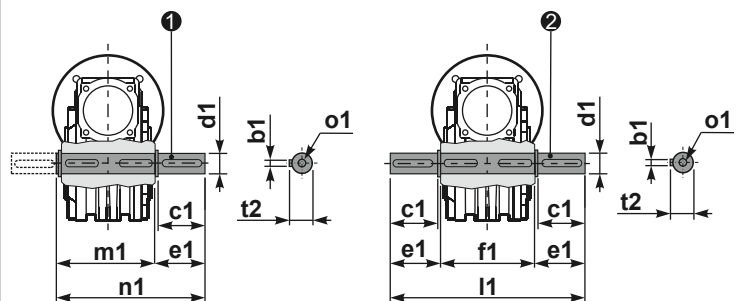
P050BR... Reaction arm
Braccio di reazione



| type B | øD | E | G | L | N | O | P | Q | kit code |
|-----------|---|---|----|-------|------|-----|-----|------|------------------------------|
| FC | 70 ^{+0.20} / _{+0.15} | 9 | 12 | 85 | 44.5 | 90 | 123 | 10.5 | ① K050.9.010 ② - |
| FL | 70 ^{+0.20} / _{+0.15} | 9 | 12 | 114.5 | 74 | 90 | 123 | 10.5 | ① K050.9.010 ② K050.0.200 |
| type S | øD | E | G | L | N | O | P | Q | kit code |
| F1 | 110 ^{+0.20} / _{+0.15} | 4 | 11 | 83.5 | 43 | 130 | 160 | 10 | ① KS050.9.012 ② - |
| F2 | 70 ^{+0.20} / _{+0.15} | 9 | 12 | 76.5 | 36 | 90 | 123 | 10.5 | ① KS050.9.014 ② - |
| F3 | 95 ^{+0.035} / ₀ | 4 | 10 | 66.5 | 26 | 115 | 140 | 10 | ① KS050.9.013 ② - |

P050.....S... Single Shaft
Albero lento semplice

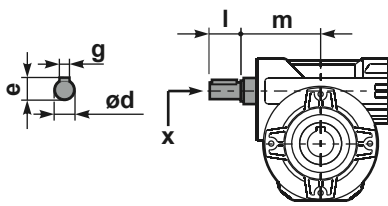
P050.....D... Double Shaft
Albero lento bisp.



① kit cod. K050.5.028 type B
kit cod. KS050.5.030 type S

② kit cod. K050.5.029 type B

R050FB... Input shaft
Albero in entrata



| | ød | e | g | l | m | x | kit code |
|--------|-------|----|---|----|------|-------|--|
| type B | 16 h6 | 18 | 5 | 30 | 74.5 | M6x16 | ① K050.5.006 PAM71 ② K050.5.007 PAM80 |
| type S | 14 h6 | 16 | 5 | 30 | 74.5 | M5x10 | ① KS050.5.008 PAM71 ② KS050.5.009 PAM80 |

| | b1 | c1 | d1 | e1 | f1 | l1 | m1 | n1 | t2 | o1 |
|--------|----|----|--|------|----|-----|------|-----|----|-------|
| type B | 8 | 52 | 25 ^{-0.005} / _{-0.020} | 59.5 | 81 | 200 | 86.5 | 146 | 28 | M8x20 |
| type S | 8 | 50 | 24 ^{-0.005} / _{-0.020} | 68.8 | - | - | 86.5 | 155 | 27 | M8x20 |