

Ficha Técnica
 Reductor de velocidad
 SIN-FIN CORONA REDONDO



| | | |
|----------------------------|--------|-----|
| MODELO | 085 | |
| Ø EJE DE SALIDA | 35 | mm |
| RELACIÓN APROXIMADA | 40 | |
| RELACIÓN EXACTA | 38.00 | |
| VELOCIDAD DE SALIDA | 37 | RPM |
| VELOCIDAD DE SALIDA EXACTA | 38 | RPM |
| POTENCIA DE ENTRADA | 1.10 | KW |
| ROTACIÓN DE ENTRADA | 1400 | RPM |
| PAM DE ENTRADA | 90B14 | |
| PAR DE SALIDA | 202.43 | N.m |
| PAR NOMINAL | 336.00 | N.m |
| POTENCIA NOMINAL | 1.8 | KW |
| FACTOR DE SERVICIO | 1.64 | |
| EFICIENCIA DINÁMICA | 0.71 | |



Cantidad de Aceite (L)

| B3/H1 | B6/H4 | B7/H3 | B8/H2 | V5/H5 | V6/H6 |
|-------|-------|-------|-------|-------|-------|
| 1.2 | 1.2 | 1.2 | 1.2 | 1.2 | 1.2 |

Cargas Radiales y Axiales



| n_2 [min-1] | FA [N] | FR [N] |
|---------------|--------|--------|
| 200 | 500 | 2500 |
| 100 | 600 | 3000 |
| 50 | 800 | 4000 |
| 15 | 1160 | 5800 |

Universal Motors S.A.
 Rua Comendador Brandão, 484
 4495-375 Póvoa de Varzim
geral@universalmotors.pt
 TEL.: 252 299 080

Universal Motors UK, Ltd
 Unit E2, Meltham Mills Road
 West Yorkshire HD9 4AR
enquiries@universalmotors-group.co.uk
 TEL.: +44(0) 1484660222

Universal Motors SL
 C/La Habana n.6 nave 4 PI Camporosso
 28806 Alcala de Henares
info@universalmotors-group.es
 TEL.: 918 864 213

P085FB... Basic wormbox
Riduttore base

Gearbox weight
peso riduttore **11.00 kg**

| M. flanges | Kit code | øF | A |
|-------------------|------------|-----|-------|
| 71B5 | K023.4.041 | 160 | 116.5 |
| 80/90B5 | K023.4.042 | 200 | 118.5 |
| 100/112B5 | K023.4.043 | 250 | 127.5 |
| 80B14 | K085.4.046 | 120 | 118.5 |
| 90B14 | K085.4.045 | 140 | 118.5 |
| 100/112B14 | K085.4.047 | 160 | 127.5 |



P085PA... Feet
Piedini

P085PB... Feet
Piedini

P085PV... Feet
Piedini



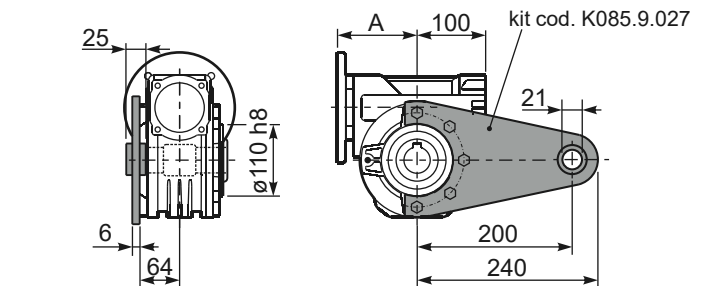
| | H | R | S | T | U | V | Y | W | øZ | kit code |
|--------|-----|-----|---|-----|-----|-----|-------|-----|-------|------------|
| type B | 142 | 145 | 5 | 182 | 140 | 180 | 236.5 | 280 | ø10.5 | K085.9.022 |
| type S | - | - | - | - | - | - | - | - | - | - |

P085FC... Output flange
Flangia uscita

P085BR... Reaction arm
Braccio di reazione

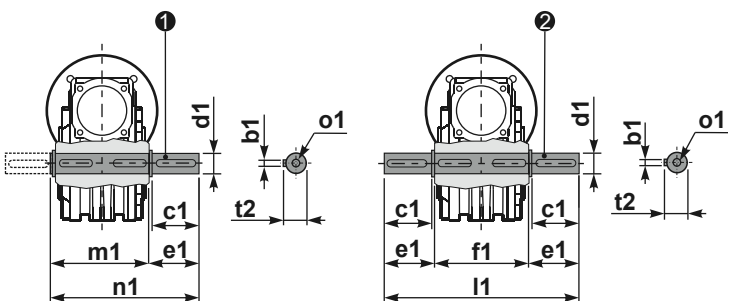


| type B | øD | E | G | L | N | O | P | Q | kit code |
|-----------|----------------------------|---|----|-------|------|-----|-----|------|------------------------------|
| FC | 152 ^{+0.06/+0.00} | 5 | 16 | 108 | 40.5 | 176 | 205 | 13 | ① K085.9.010 ② - |
| FL | 152 ^{+0.06/+0.00} | 5 | 16 | 148.5 | 81 | 176 | 205 | 13 | ① K085.9.010 ② K085.0.201 |
| type S | øD | E | G | L | N | O | P | Q | kit code |
| F1 | 130 H7 | 5 | 13 | 117.5 | 50 | 165 | 200 | 11.5 | ① KS085.9.012 ② - |
| F2 | 152 ^{+0.06/+0.00} | 5 | 15 | 147.5 | 80 | 180 | 205 | 12.5 | ① KS085.9.013 ② - |
| F4 | 130 H7 | 5 | 13 | 106.5 | 39 | 165 | 200 | 13 | ① KS085.9.015 ② - |



P085.....S... Single Shaft
Albero lento semplice

P085.....D... Double Shaft
Albero lento bisp.



① kit cod. K085.5.028 type B ② kit cod. K085.5.029 type B

R085FB... Input shaft
Albero in entrata



| | ød | e | g | l | m | x | kit code |
|--------|-------|----|---|----|-----|-------|---|
| type B | 25 h6 | 28 | 8 | 50 | 112 | M8x20 | ① K085.5.007 PAM90 ② K085.5.008 PAM100 |
| type S | 24 h6 | 27 | 8 | 50 | 112 | M8x20 | ① KS085.5.009 PAM90 ② KS085.5.011 PAM100 |

| | b1 | c1 | d1 | e1 | f1 | l1 | m1 | n1 | t2 | o1 |
|--------|----|----|-----------------------------|------|-----|-----|-----|-------|----|--------|
| type B | 10 | 60 | 35 ^{-0.005/-0.020} | 73.5 | 135 | 282 | 141 | 214.5 | 38 | M10x23 |
| type S | - | - | - | - | - | - | - | - | - | - |