

Ficha Técnica  
 Reductor de velocidad  
 SIN-FIN CORONA REDONDO



|                            |        |     |
|----------------------------|--------|-----|
| MODELO                     | 110    |     |
| Ø EJE DE SALIDA            | 42     | mm  |
| RELACIÓN APROXIMADA        | 40     |     |
| RELACIÓN EXACTA            | 38.00  |     |
| VELOCIDAD DE SALIDA        | 37     | RPM |
| VELOCIDAD DE SALIDA EXACTA | 38     | RPM |
| POTENCIA DE ENTRADA        | 1.50   | KW  |
| ROTACIÓN DE ENTRADA        | 1400   | RPM |
| PAM DE ENTRADA             | 90B5   |     |
| PAR DE SALIDA              | 291.59 | N.m |
| PAR NOMINAL                | 641.00 | N.m |
| POTENCIA NOMINAL           | 3.3    | KW  |
| FACTOR DE SERVICIO         | 2.20   |     |
| EFICIENCIA DINÁMICA        | 0.75   |     |



Cantidad de Aceite (L)

| B3/H1 | B6/H4 | B7/H3 | B8/H2 | V5/H5 | V6/H6 |
|-------|-------|-------|-------|-------|-------|
| 1.9   | 1.35  | 1.35  | 2     | 2     | 2     |

Cargas Radiales y Axiales



| $n_2$ [min-1] | FA [N] | FR [N] |
|---------------|--------|--------|
| 200           | 600    | 2900   |
| 100           | 750    | 3600   |
| 50            | 920    | 4600   |
| 15            | 1400   | 7000   |

Universal Motors S.A.  
 Rua Comendador Brandão, 484  
 4495-375 Póvoa de Varzim  
[geral@universalmotors.pt](mailto:geral@universalmotors.pt)  
 TEL.: 252 299 080

Universal Motors UK, Ltd  
 Unit E2, Meltham Mills Road  
 West Yorkshire HD9 4AR  
[enquiries@universalmotors-group.co.uk](mailto:enquiries@universalmotors-group.co.uk)  
 TEL.: +44(0) 1484660222

Universal Motors SL  
 C/La Habana n.6 nave 4 PI Camporroso  
 28806 Alcala de Henares  
[info@universalmotors-group.es](mailto:info@universalmotors-group.es)  
 TEL.: 918 864 213

**P110FB...** Basic wormbox  
Riduttore base

Gearbox weight  
peso riduttore **35.00 kg**

| M. flanges        | Kit code   | øF  | A   |
|-------------------|------------|-----|-----|
| <b>71B5</b>       | K023.4.041 | 160 | 136 |
| <b>80/90B5</b>    | K023.4.042 | 200 | 138 |
| <b>100/112B5</b>  | K023.4.043 | 250 | 147 |
| <b>132B5</b>      | -          | 300 | 187 |
|                   |            |     |     |
| <b>80B14</b>      | K085.4.046 | 120 | 138 |
| <b>90B14</b>      | K085.4.045 | 140 | 138 |
| <b>100/112B14</b> | K023.4.041 | 160 | 136 |
| <b>132B14</b>     | -          | 200 | 187 |



**P110PA...** Feet  
Piedini

**P110PB...** Feet  
Piedini

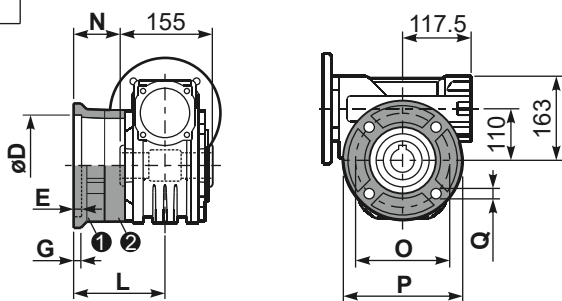
**P110PV...** Feet  
Piedini



|        | H   | R   | S | T   | U   | V   | Y   | W   | øZ  | kit code   |
|--------|-----|-----|---|-----|-----|-----|-----|-----|-----|------------|
| type B | 170 | 180 | 8 | 224 | 200 | 240 | 286 | 333 | ø13 | K110.9.022 |
| type S | -   | -   | - | -   | -   | -   | -   | -   | -   | -          |

**P110FC...** Output flange  
Flangia uscita

**P110BR...** Reaction arm  
Braccio di reazione



| type B    | øD  | E  | G    | L     | N    | O   | P   | Q  | kit code             |
|-----------|---|----|------|-------|------|-----|-----|----|----------------------|
| <b>FC</b> | 170 <sup>+0.083</sup> / <sub>-0.043</sub> | 11 | 16.5 | 131.5 | 54   | 230 | 270 | 13 | ① K110.9.010<br>② -  |
| <b>FL</b> | 170 <sup>+0.083</sup> / <sub>-0.043</sub> | 11 | 16.5 | 179.5 | 102  | 230 | 270 | 13 | ① K110.9.011<br>② -  |
| type S    | øD  | E  | G    | L     | N    | O   | P   | Q  | kit code             |
| <b>F1</b> | 180 <sup>+0.040</sup> / <sub>0</sub>      | 5  | 18   | 150   | 72.5 | 215 | 250 | 15 | ① KS110.9.014<br>② - |
| <b>F3</b> | 180 <sup>+0.040</sup> / <sub>0</sub>      | 5  | 18   | 130   | 52.5 | 215 | 250 | 15 | ① KS110.9.013<br>② - |

**P110.....S...** Single Shaft  
Albero lento semplice

**P110.....D...** Double Shaft  
Albero lento bisp.



① kit cod. K110.5.028 type B

② kit cod. K110.5.029 type B

**R110FB...** Input shaft  
Albero in entrata



|        | ød    | e  | g | l  | m     | x     | kit code                                    |
|--------|-------|----|---|----|-------|-------|---|
| type B | 25 h6 | 28 | 8 | 50 | 131.5 | M8x20 | ① K085.5.007 PAM90<br>② K085.5.008 PAM100   |
| type S | 24 h6 | 27 | 8 | 50 | 131.5 | M8x20 | ① KS085.5.009 PAM90<br>② KS085.5.011 PAM100 |

|        | b1 | c1 | d1                                       | e1   | f1  | l1  | m1    | n1  | t2 | o1     |
|--------|----|----|--|------|-----|-----|-------|-----|----|--------|
| type B | 12 | 75 | 42 <sup>-0.005</sup> / <sub>-0.020</sub> | 96.5 | 155 | 348 | 163.5 | 260 | 45 | M12x32 |
| type S | -  | -  | -  | -    | -   | -   | -     | -   | -  | -      |