

| | | |
|----------------------------|--------|-----|
| MODELO | 302A | |
| Ø EJE DE SALIDA | 20 | mm |
| RELACIÓN APROXIMADA | 29 | |
| RELACIÓN EXACTA | 28.88 | |
| VELOCIDAD DE SALIDA | 50 | RPM |
| VELOCIDAD DE SALIDA EXACTA | 51 | RPM |
| POTENCIA DE ENTRADA | 0.25 | KW |
| ROTACIÓN DE ENTRADA | 1400 | RPM |
| PAM DE ENTRADA | 71B14 | |
| PAR DE SALIDA | 47.28 | N.m |
| PAR NOMINAL | 114.00 | N.m |
| POTENCIA NOMINAL | 0.6 | KW |
| FACTOR DE SERVICIO | 2.40 | |
| EFICIENCIA DINÁMICA | 0.96 | |

Cantidad de Aceite (L)

| B3/H1 | B6/H4 | B7/H3 | B8/H2 | V5/H5 | V6/H6 |
|-------|-------|-------|-------|-------|-------|
| 0.15 | 0.15 | 0.15 | 0.15 | 0.15 | 0.15 |

Cargas Radiales y Axiales

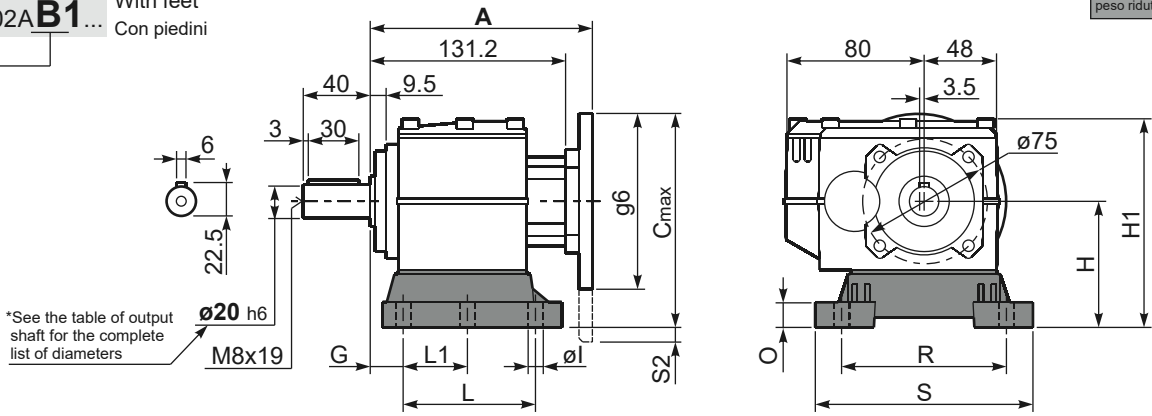


| n_2 [min-1] | FA [N] | FR [N] |
|---------------|--------|--------|
| 300 | 140 | 700 |
| 200 | 185 | 924 |
| 120 | 270 | 1350 |
| 70 | 340 | 1700 |

Gearbox weight **3.5 kg**
 With flange
 peso riduttore **4.0 Kg**
 With feet

P302A-B1...

With feet
 Con piedini



*See the table of output shaft for the complete list of diameters

| Feet Code | Market reference | G | H | R | L | L1 | S | H1 | O | ø1 | S2 only with motor flange | B5 max. Flange | kit code |
|-----------|------------------|----|-----|-----|-------|----|-----|-----|----|----|---------------------------|----------------|--------------|
| B1 | 112 | 18 | 85 | 110 | 87 | 50 | 130 | 133 | 15 | 9 | 15 80/90B5 | - | KC30.9.022 |
| B2 | 212/3 | 18 | 100 | 130 | 107.5 | 60 | 155 | 145 | 5 | 11 | 3.5 80/90B5 | - | KC30.9.023LM |
| S1 | 17-32 | 18 | 75 | 110 | 110 | 50 | 130 | 123 | 15 | 9 | 5 71B5 | 71B5 | KC30.9.024 |

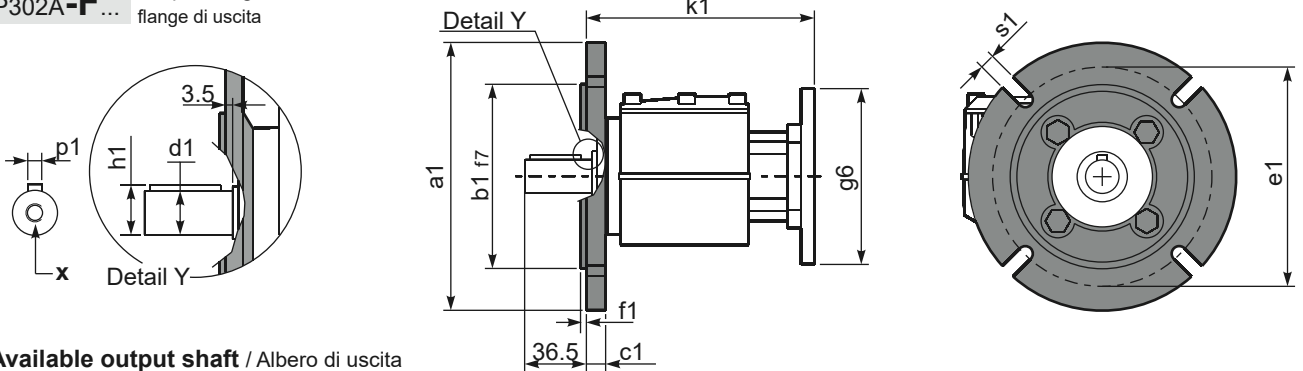
Other feet are available, see our web site
 Sono disponibili altri piedini, consulta il nostro sito web

A see on page bottom

Most popular types
 Tipi più diffusi

P302A-F...

Output flanges
 flange di uscita



*Available output shaft / Albero di uscita

| | Shaft - d1 | p1 | h1 | x |
|---------------------------|------------|----|------|-------|
| Standard | ø 20x40 | 6 | 22.5 | M8x19 |
| On request A richiesta | ø 14x30 | 5 | 16 | M6x16 |
| | ø 16x40 | 5 | 18 | M6x16 |
| | ø 19x40 | 6 | 21.5 | M6x16 |
| | ø 24x50 | 8 | 27 | M8x19 |
| | ø 25x50 | 8 | 28 | M8x19 |

Available output flanges / flange di uscita

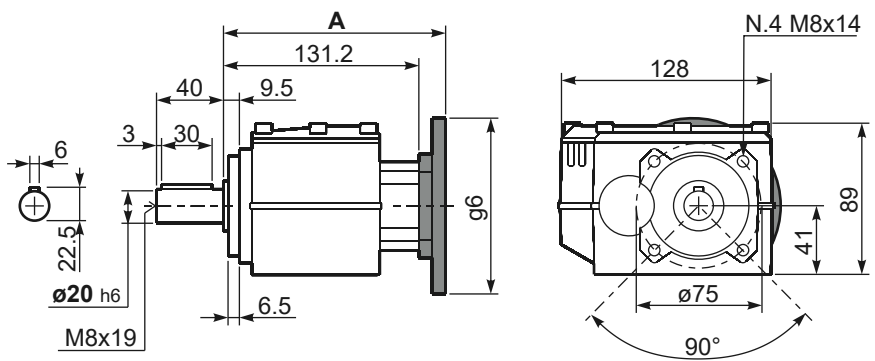
| a1 ø | b1 | c1 | e1 | f1 | s1 | kit code |
|------|-----|------|-----|-----|----|------------|
| 120 | 80 | 11.5 | 100 | 3 | 9* | KC30.9.010 |
| 140 | 95 | 11.5 | 115 | 3 | 9 | KC30.9.011 |
| 160 | 110 | 11.5 | 130 | 3.5 | 9 | KC30.9.012 |
| 200 | 130 | 11.5 | 165 | 3.5 | 11 | KC30.9.013 |

* Holes position
 Posizione fori

With flange and feet only on request. Ask for compatibility

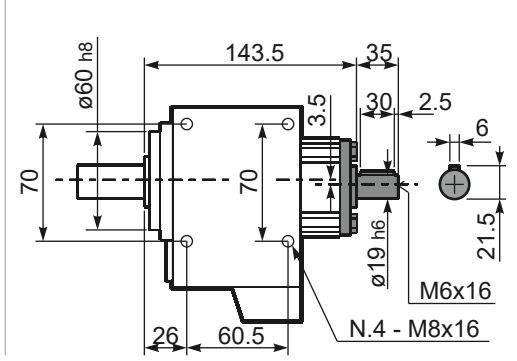
P302A-N...

Basic gearbox
 Riduttore base



R302A-N...

Input Shaft
 Albero in entrata



| B5 Motor Flanges | A | C _{max} | g6 | k1 | kit code |
|------------------|-------|------------------|-----|-------|------------|
| 63 B5 | 151.7 | 170 | 140 | 155.2 | K063.4.041 |
| 71 B5 | 149.7 | 180 | 160 | 153.2 | K063.4.042 |
| 80/90 B5 | 151.7 | 200 | 200 | 155.2 | K063.4.043 |

| B14 Motor Flanges | A | C _{max} | g6 | k1 | kit code |
|-------------------|-------|------------------|-----|-------|------------|
| 71 B14 | 149.7 | 152.5 | 105 | 153.2 | K063.4.047 |
| 80 B14 | 151.7 | 160 | 120 | 155.2 | K063.4.046 |
| 90 B14 | 151.7 | 170 | 140 | 155.2 | K063.4.041 |