

MODELO	302A	
Ø EJE DE SALIDA	20	mm
RELACIÓN APROXIMADA	8	
RELACIÓN EXACTA	7.74	
VELOCIDAD DE SALIDA	183	RPM
VELOCIDAD DE SALIDA EXACTA	189	RPM
POTENCIA DE ENTRADA	0.75	KW
ROTACIÓN DE ENTRADA	1400	RPM
PAM DE ENTRADA	80B5	
PAR DE SALIDA	38.01	N.m
PAR NOMINAL	80.00	N.m
POTENCIA NOMINAL	1.6	KW
FACTOR DE SERVICIO	2.13	
EFICIENCIA DINÁMICA	0.96	

Cantidad de Aceite (L)

B3/H1	B6/H4	B7/H3	B8/H2	V5/H5	V6/H6
0.15	0.15	0.15	0.15	0.15	0.15

Cargas Radiales y Axiales



$n_2$ [min-1]	FA [N]	FR [N]
300	140	700
200	185	924
120	270	1350
70	340	1700

Gearbox weight **3.5 kg**  
 With flange  
 peso riduttore **4.0 Kg**  
 With feet

**P302A-B1...**

With feet  
 Con piedini



\*See the table of output shaft for the complete list of diameters  
 $\phi 20$  h6  
 M8x19

Feet Code	Market reference	G	H	R	L	L1	S	H1	O	$\phi 1$	S2 only with motor flange	B5 max. Flange	kit code
B1	112	18	85	110	87	50	130	133	15	9	15 80/90B5	-	KC30.9.022
B2	212/3	18	100	130	107.5	60	155	145	5	11	3.5 80/90B5	-	KC30.9.023LM
S1	17-32	18	75	110	110	50	130	123	15	9	5 71B5	71B5	KC30.9.024

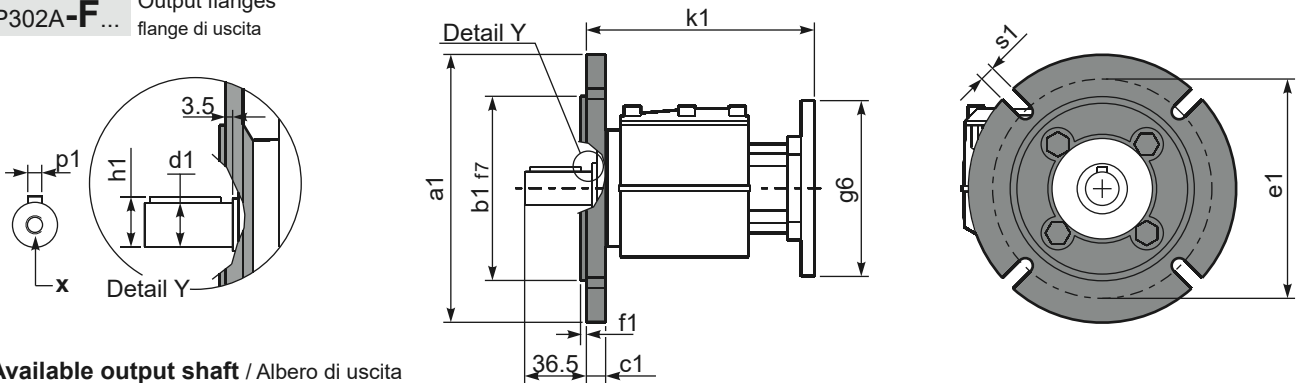
Other feet are available, see our web site  
 Sono disponibili altri piedini, consulta il nostro sito web

**A see on page bottom**

Most popular types  
 Tipi più diffusi

**P302A-F...**

Output flanges  
 flange di uscita



\*Available output shaft / Albero di uscita

	Shaft - d1	p1	h1	x
Standard	$\phi 20 \times 40$	6	22.5	M8x19
On request A richiesta	$\phi 14 \times 30$	5	16	M6x16
	$\phi 16 \times 40$	5	18	M6x16
	$\phi 19 \times 40$	6	21.5	M6x16
	$\phi 24 \times 50$	8	27	M8x19
	$\phi 25 \times 50$	8	28	M8x19

Available output flanges / flange di uscita

a1 $\phi$	b1	c1	e1	f1	s1	kit code
120	80	11.5	100	3	9*	KC30.9.010
140	95	11.5	115	3	9	KC30.9.011
160	110	11.5	130	3.5	9	KC30.9.012
200	130	11.5	165	3.5	11	KC30.9.013

\* Holes position  
 Posizione fori

With flange and feet only on request. Ask for compatibility

**P302A-N...**

Basic gearbox  
 Riduttore base



**R302A-N...**

Input Shaft  
 Albero in entrata



B5 Motor Flanges	A	C <sub>max</sub>	g6	k1	kit code
63 B5	151.7	170	140	155.2	K063.4.041
71 B5	149.7	180	160	153.2	K063.4.042
80/90 B5	151.7	200	200	155.2	K063.4.043

B14 Motor Flanges	A	C <sub>max</sub>	g6	k1	kit code
71 B14	149.7	152.5	105	153.2	K063.4.047
80 B14	151.7	160	120	155.2	K063.4.046
90 B14	151.7	170	140	155.2	K063.4.041