

|                            |        |     |
|----------------------------|--------|-----|
| MODELO                     | 612A   |     |
| Ø EJE DE SALIDA            | 35     | mm  |
| RELACIÓN APROXIMADA        | 17     |     |
| RELACIÓN EXACTA            | 16.62  |     |
| VELOCIDAD DE SALIDA        | 86     | RPM |
| VELOCIDAD DE SALIDA EXACTA | 88     | RPM |
| POTENCIA DE ENTRADA        | 5.50   | KW  |
| ROTACIÓN DE ENTRADA        | 1400   | RPM |
| PAM DE ENTRADA             | 132B5  |     |
| PAR DE SALIDA              | 598.56 | N.m |
| PAR NOMINAL                | 515.00 | N.m |
| POTENCIA NOMINAL           | 4.7    | KW  |
| FACTOR DE SERVICIO         | 0.85   |     |
| EFICIENCIA DINÁMICA        | 0.96   |     |

Cantidad de Aceite (L)

| B3/H1 | B6/H4 | B7/H3 | B8/H2 | V5/H5 | V6/H6 |
|-------|-------|-------|-------|-------|-------|
| 0.8   | 1     | 1.2   | 1.2   | 1.3   | 1.35  |

Cargas Radiales y Axiales



| $n_2$ [min-1] | FA [N] | FR [N] |
|---------------|--------|--------|
| 300           | 560    | 2800   |
| 200           | 640    | 3200   |
| 120           | 760    | 3800   |
| 15            | 1300   | 6500   |

P612A-B1... With feet  
Con piedini

Gearbox weight **14.1 kg**  
peso riduttore With feet **14.5 kg**



Feet / piedini

| Feet Code | Market reference | G  | H   | R       | L     | S   | H1  | O  | øl | S2 only with motor flange | B5 max. Flange | kit code     |
|-----------|------------------|----|-----|---------|-------|-----|-----|----|----|---------------------------|----------------|--------------|
| B4        | 412/3            | 20 | 130 | 180     | 149.5 | 216 | 242 | 18 | 14 | -                         | -              | KC60.9.024   |
| S4        | 47-57            | 30 | 115 | 135     | 165   | 170 | 227 | 25 | 14 | 13 132B5                  | -              | KC50.9.022   |
| M3        | 62/3             | 35 | 120 | 170-185 | 110   | 230 | 232 | 20 | 14 | 8 132B5                   | -              | KC60.9.023   |
| S7        | 77               | 35 | 140 | 170     | 205   | 204 | 252 | 8  | 14 | -                         | -              | KC60.9.029LM |
| H4        | 024-243          | 35 | 155 | 170     | 150   | 225 | 267 | 30 | 14 | -                         | -              | KC60.9.025   |

Other feet are available, see our web site  
Sono disponibili altri piedini, consulta il nostro sito web

**A see on page bottom**

Most popular types  
Tipi più diffusi

P612A-F... Output flanges  
flange di uscita



\*Available output shaft / Alberi di uscita

|                           | Shaft - d1 | p1 | h1 | x      |
|---------------------------|------------|----|----|--------|
| Standard                  | ø 35x70    | 10 | 38 | M10x22 |
| On request<br>A richiesta | ø 28x60    | 8  | 31 | M8x20  |
|                           | ø 30x60    | 8  | 33 | M10x22 |
|                           | ø 38x70    | 10 | 41 | M10x25 |
|                           | ø 40x80    | 12 | 43 | M12x28 |

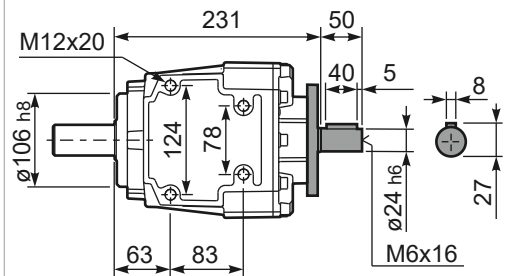
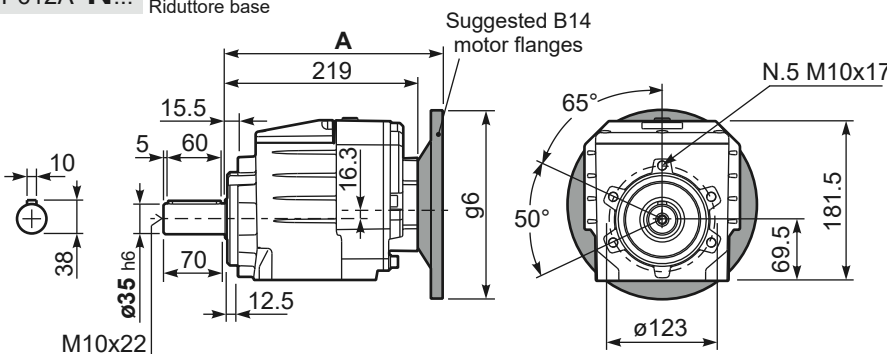
Available output flanges / flange di uscita

| a1 ø | b1  | c1   | e1  | f1  | s1 | kit code   |
|------|-----|------|-----|-----|----|------------|
| 160  | 110 | 14   | 130 | 3.5 | 11 | KC50.9.011 |
| 200  | 130 | 13   | 164 | 3.5 | 11 | KC50.9.012 |
| 250  | 180 | 15.5 | 215 | 4   | 14 | KC50.9.013 |

With flange and feet only on request.  
Ask for compatibility

P612A-N... Basic gearbox  
Riduttore base

R612A-N... Input Shaft  
Albero in entrata



| B5 Motor Flanges | A     | C <sub>max</sub> | g6  | k1  | kit code   | k1 with KC50.9.011 | B14 Motor Flanges | A     | C <sub>max</sub> | g6  | k1  | kit code   | k1 with KC50.9.011 |
|------------------|-------|------------------|-----|-----|------------|--------------------|-------------------|-------|------------------|-----|-----|------------|--------------------|
| 71 B5            | 237.5 | 251.3            | 160 | 240 | K023.4.041 | 246                | 80 B14            | 239.5 | 231.3            | 120 | 242 | K085.4.046 | 248                |
| 80/90 B5         | 239.5 | 271.3            | 200 | 242 | K023.4.042 | 248                | 90 B14            | 239.5 | 241.3            | 140 | 242 | K085.4.045 | 248                |
| 100/112 B5       | 248.5 | 296.3            | 250 | 251 | K023.4.043 | 257                | 100/112 B14       | 248.5 | 251.3            | 160 | 251 | K085.4.047 | 257                |
| 132 B5           | 269.5 | 321.3            | 300 | 269 | KC51.4.043 | 275                | 132 B14           | 269.5 | 271.3            | 200 | 269 | KC51.4.041 | 275                |