

Ficha Técnica
 Reductor de velocidad
 SIN-FIN CORONA CUADRADO



| | | |
|----------------------------|-------|-----|
| MODELO | M30 | |
| Ø EJE DE SALIDA | 14 | mm |
| RELACIÓN APROXIMADA | 10 | |
| RELACIÓN EXACTA | 10.00 | |
| VELOCIDAD DE SALIDA | 146 | RPM |
| VELOCIDAD DE SALIDA EXACTA | 146 | RPM |
| POTENCIA DE ENTRADA | 0.25 | KW |
| ROTACIÓN DE ENTRADA | 1400 | RPM |
| PAM DE ENTRADA | 63B5 | |
| PAR DE SALIDA | 13.30 | N.m |
| PAR NOMINAL | 17.00 | N.m |
| POTENCIA NOMINAL | 0.32 | KW |
| FACTOR DE SERVICIO | 1.28 | |
| EFICIENCIA DINÁMICA | 0.78 | |



Cantidad de Aceite (L)

| B3/H1 | B6/H4 | B7/H3 | B8/H2 | V5/H5 | V6/H6 |
|-------|-------|-------|-------|-------|-------|
| 0.03 | 0.03 | 0.03 | 0.03 | 0.03 | 0.03 |

Cargas Radiales y Axiales



| n_2 [min ⁻¹] | FA [N] | FR [N] |
|----------------------------|--------|--------|
| 200 | 120 | 600 |
| 100 | 160 | 800 |
| 50 | 200 | 1000 |
| 15 | 280 | 1400 |

Universal Motors S.A.
 Rua Comendador Brandão, 484
 4495-375 Póvoa de Varzim
geral@universalmotors.pt
 TEL.: 252 299 080

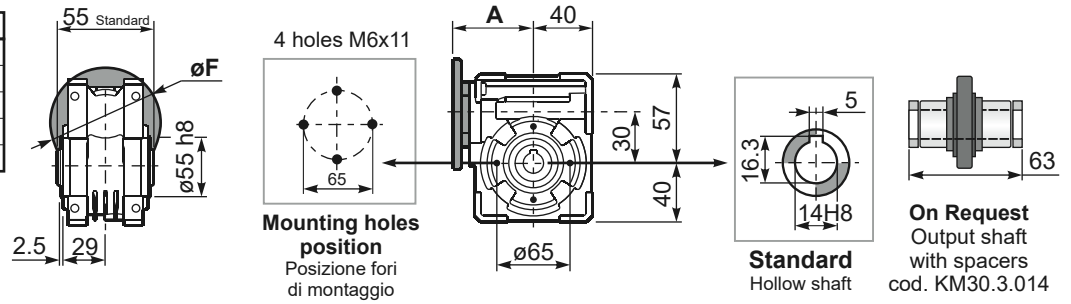
Universal Motors UK, Ltd
 Unit E2, Meltham Mills Road
 West Yorkshire HD9 4AR
enquiries@universalmotors-group.co.uk
 TEL.: +44(0) 1484660222

Universal Motors SL
 C/La Habana n.6 nave 4 PI Camporoso
 28806 Alcalá de Henares
info@universalmotors-group.es
 TEL.: 918 864 213

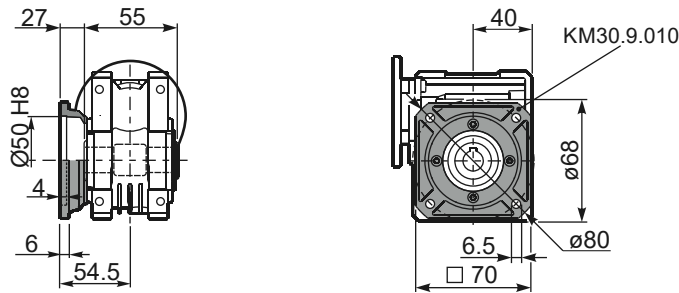
PM30**FB**... Basic wormbox
Riduttore base

Gearbox weight
peso riduttore **1.15 kg**

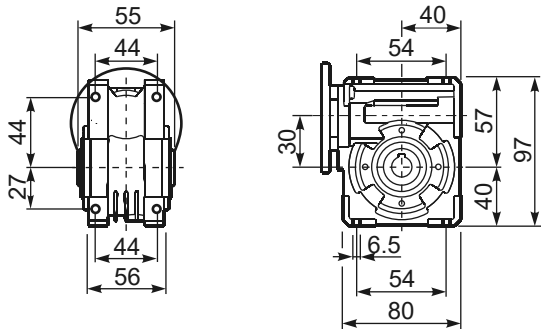
| M. flanges | Kit code | øF | A |
|------------|------------|-----|------|
| 56B5 | K030.4.041 | 120 | 61.5 |
| 63B5 | K030.4.042 | 140 | 62.5 |
| 56B14 | K030.4.046 | 80 | 61.5 |
| 63B14 | K030.4.045 | 90 | 62.5 |



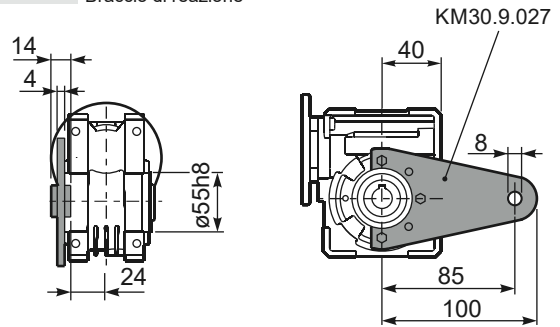
PM30**FC**... Square flange
Flangia quadrata



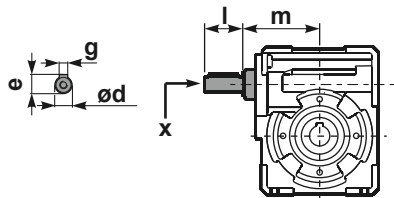
PM30**FB**... Feet
Piedini



PM30**BR**... Reaction arm
Braccio di reazione

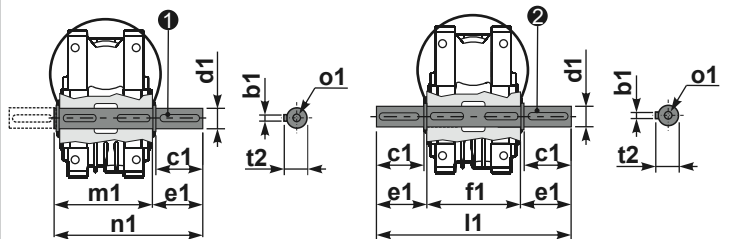


RM30FB... Input shaft
Albero in entrata



PM30...**S**... Single Shaft
Albero lento semplice

PM30...**D**... Double Shaft
Albero lento bisp.



① kit cod. K030.5.028 type B

② kit cod. K030.5.029 type B

| | ød | e | g | l | m | x | kit code |
|--------|------|------|---|----|----|---|------------------|
| type B | 9 h6 | 10.2 | 3 | 20 | 58 | - | K030.5.006 PAM63 |
| type S | - | - | - | - | - | - | - |

| | b1 | c1 | d1 | e1 | f1 | l1 | m1 | n1 | t2 | o1 |
|--------|----|----|--|------|----|-----|----|------|----|-------|
| type B | 5 | 25 | 14 ^{-0.005} _{-0.020} | 35.5 | 55 | 126 | 59 | 94.5 | 16 | M5x14 |
| type S | - | - | - | - | - | - | - | - | - | - |