

Ficha Técnica  
 Reductor de velocidad  
 SIN-FIN CORONA CUADRADO



|                            |       |     |
|----------------------------|-------|-----|
| MODELO                     | M50   |     |
| Ø EJE DE SALIDA            | 25    | mm  |
| RELACIÓN APROXIMADA        | 30    |     |
| RELACIÓN EXACTA            | 30.00 |     |
| VELOCIDAD DE SALIDA        | 49    | RPM |
| VELOCIDAD DE SALIDA EXACTA | 49    | RPM |
| POTENCIA DE ENTRADA        | 0.18  | KW  |
| ROTACIÓN DE ENTRADA        | 1400  | RPM |
| PAM DE ENTRADA             | 63B14 |     |
| PAR DE SALIDA              | 25.78 | N.m |
| PAR NOMINAL                | 72.00 | N.m |
| POTENCIA NOMINAL           | 0.5   | KW  |
| FACTOR DE SERVICIO         | 2.78  |     |
| EFICIENCIA DINÁMICA        | 0.70  |     |



Cantidad de Aceite (L)

| B3/H1 | B6/H4 | B7/H3 | B8/H2 | V5/H5 | V6/H6 |
|-------|-------|-------|-------|-------|-------|
| 0.14  | 0.14  | 0.14  | 0.14  | 0.14  | 0.14  |

Cargas Radiales y Axiales



| $n_2$ [min <sup>-1</sup> ] | FA [N] | FR [N] |
|----------------------------|--------|--------|
| 200                        | 240    | 1200   |
| 100                        | 300    | 1500   |
| 50                         | 380    | 1900   |
| 15                         | 560    | 2800   |

Universal Motors S.A.  
 Rua Comendador Brandão, 484  
 4495-375 Póvoa de Varzim  
[geral@universalmotors.pt](mailto:geral@universalmotors.pt)  
 TEL.: 252 299 080

Universal Motors UK, Ltd  
 Unit E2, Meltham Mills Road  
 West Yorkshire HD9 4AR  
[enquiries@universalmotors-group.co.uk](mailto:enquiries@universalmotors-group.co.uk)  
 TEL.: +44(0) 1484660222

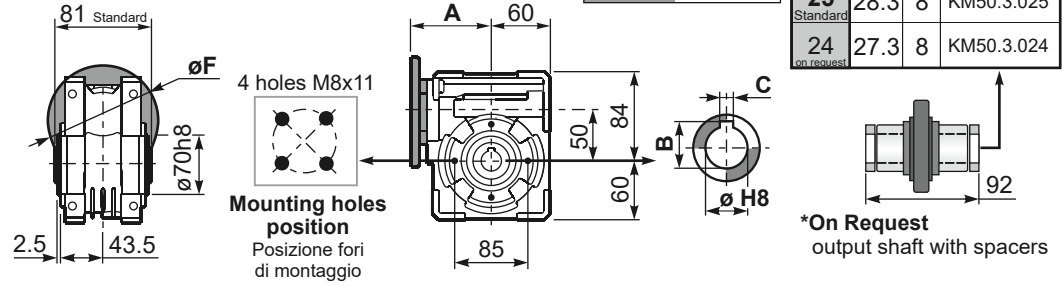
Universal Motors SL  
 C/La Habana n.6 nave 4 PI Camporoso  
 28806 Alcalá de Henares  
[info@universalmotors-group.es](mailto:info@universalmotors-group.es)  
 TEL.: 918 864 213

PM50**FB**... Basic wormbox  
Riduttore base

Gearbox weight  
peso riduttore **3.25 kg**

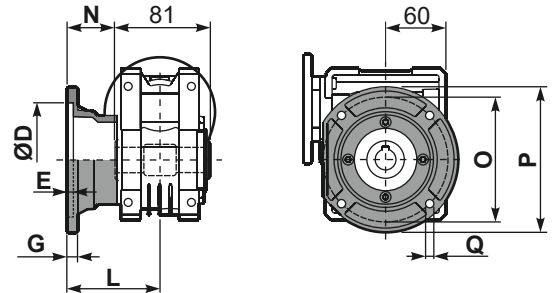
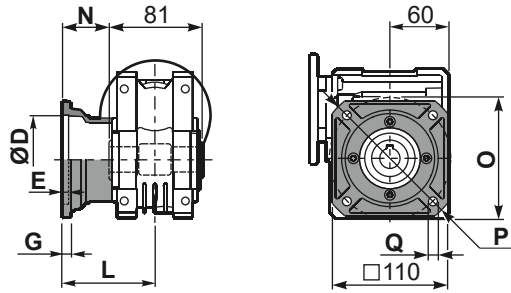
| ø H8             | B    | C | *Spacer code |
|------------------|------|---|--------------|
| 25<br>Standard   | 28.3 | 8 | KM50.3.025   |
| 24<br>on request | 27.3 | 8 | KM50.3.024   |

| M. flanges | Kit code   | øF  | A    |
|------------|------------|-----|------|
| 63B5       | K050.4.041 | 138 | 83.5 |
| 71B5       | K050.4.042 | 160 | 81   |
| 80B5       | K050.4.043 | 200 | 81.5 |
| 56B14      | KC40.4.049 | 80  | 81   |
| 63B14      | K050.4.047 | 90  | 83.5 |
| 71B14      | K050.4.045 | 105 | 81   |
| 80B14      | K050.4.046 | 120 | 81.5 |



PM50**FC**... Square flange  
Flangia quadrata

PM50**F1**... Round flange  
Flangia rotonda

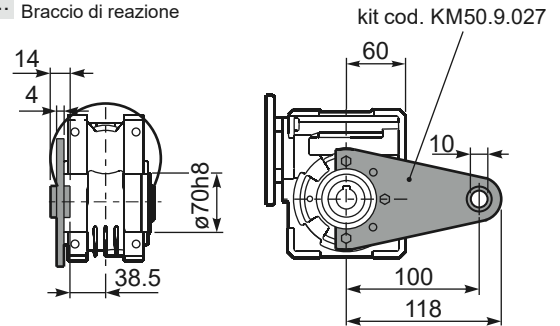
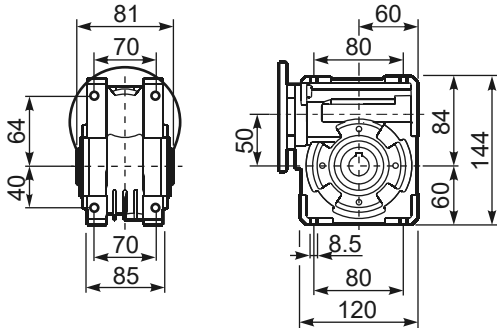


| type B | øD    | E | G | L   | N    | O  | P   | Q  | kit code   |
|--------|-------|---|---|-----|------|----|-----|----|------------|
| FC     | 70 H8 | 5 | 9 | 90  | 49.5 | 85 | 125 | 11 | KM50.9.010 |
| FL     | 70 H8 | 5 | 9 | 120 | 79.5 | 85 | 125 | 11 | KM50.9.011 |

| type S | øD     | E | G    | L  | N    | O   | P   | Q   | kit code   |
|--------|--------|---|------|----|------|-----|-----|-----|------------|
| F1     | 110 H8 | 5 | 10   | 89 | 48.5 | 130 | 160 | 9.5 | KM50.9.012 |
| F2     | 95 H8  | 5 | 14.5 | 72 | 31.5 | 115 | 140 | 11  | KM50.9.013 |

PM50**FB**... Feet  
Piedini

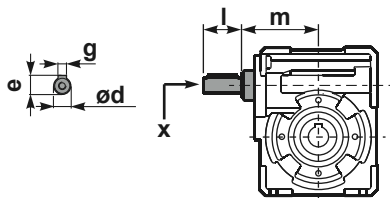
PM50**BR**... Reaction arm  
Braccio di reazione



RM50**FB**... Input shaft  
Albero in entrata

PM50.....**S**... Single Shaft  
Albero lento semplice

PM50.....**D**... Double Shaft  
Albero lento bisp.



① kit cod. K050.5.028 type B  
kit cod. KS050.5.030 type S  
② kit cod. K050.5.029 type B

|        | ød    | e  | g | l  | m    | x     | kit code                                   |
|--------|-------|----|---|----|------|-------|--------------------------------------------|
| type B | 16 h6 | 18 | 5 | 30 | 79.5 | M6x16 | ① K050.5.006 PAM71<br>② K050.5.007 PAM80   |
| type S | 14 h6 | 16 | 5 | 30 | 79.5 | M5x10 | ① KS050.5.008 PAM71<br>② KS050.5.009 PAM80 |

|        | b1 | c1 | d1                                     | e1   | f1 | l1  | m1   | n1  | t2 | o1    |
|--------|----|----|----------------------------------------|------|----|-----|------|-----|----|-------|
| type B | 8  | 52 | 25 <sup>-0.005</sup> <sub>-0.020</sub> | 59.5 | 81 | 200 | 86.5 | 146 | 28 | M8x20 |
| type S | 8  | 50 | 24 <sup>-0.005</sup> <sub>-0.020</sub> | 68.8 | -  | -   | 86.5 | 155 | 27 | M8x20 |