

| | | |
|----------------------------|-------|-----|
| MODELO | M50 | |
| Ø EJE DE SALIDA | 25 | mm |
| RELACIÓN APROXIMADA | 15 | |
| RELACIÓN EXACTA | 14.00 | |
| VELOCIDAD DE SALIDA | 97 | RPM |
| VELOCIDAD DE SALIDA EXACTA | 104 | RPM |
| POTENCIA DE ENTRADA | 0.55 | KW |
| ROTACIÓN DE ENTRADA | 1400 | RPM |
| PAM DE ENTRADA | 80B5 | |
| PAR DE SALIDA | 41.49 | N.m |
| PAR NOMINAL | 68.00 | N.m |
| POTENCIA NOMINAL | 0.9 | KW |
| FACTOR DE SERVICIO | 1.64 | |
| EFICIENCIA DINÁMICA | 0.79 | |



Cantidad de Aceite (L)

| B3/H1 | B6/H4 | B7/H3 | B8/H2 | V5/H5 | V6/H6 |
|-------|-------|-------|-------|-------|-------|
| 0.14 | 0.14 | 0.14 | 0.14 | 0.14 | 0.14 |

Cargas Radiales y Axiales



| n_2 [min ⁻¹] | FA [N] | FR [N] |
|----------------------------|--------|--------|
| 200 | 240 | 1200 |
| 100 | 300 | 1500 |
| 50 | 380 | 1900 |
| 15 | 560 | 2800 |

PM50**FB**... Basic wormbox
Riduttore base

Gearbox weight
peso riduttore **3.25 kg**

| ø H8 | B | C | *Spacer code |
|------------------|------|---|--------------|
| 25 Standard | 28.3 | 8 | KM50.3.025 |
| 24 on request | 27.3 | 8 | KM50.3.024 |

| M. flanges | Kit code | øF | A |
|------------|------------|-----|------|
| 63B5 | K050.4.041 | 138 | 83.5 |
| 71B5 | K050.4.042 | 160 | 81 |
| 80B5 | K050.4.043 | 200 | 81.5 |
| 56B14 | KC40.4.049 | 80 | 81 |
| 63B14 | K050.4.047 | 90 | 83.5 |
| 71B14 | K050.4.045 | 105 | 81 |
| 80B14 | K050.4.046 | 120 | 81.5 |



PM50**FC**... Square flange
Flangia quadrata

PM50**F1**... Round flange
Flangia rotonda

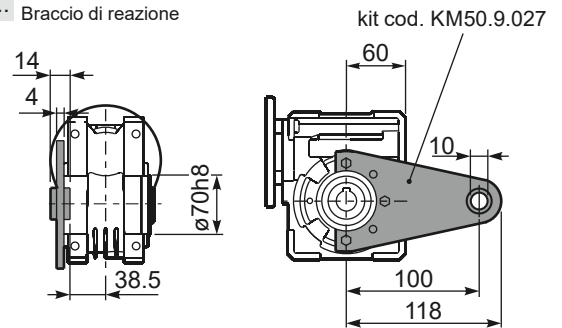


| type B | øD | E | G | L | N | O | P | Q | kit code |
|--------|-------|---|---|-----|------|----|-----|----|------------|
| FC | 70 H8 | 5 | 9 | 90 | 49.5 | 85 | 125 | 11 | KM50.9.010 |
| FL | 70 H8 | 5 | 9 | 120 | 79.5 | 85 | 125 | 11 | KM50.9.011 |

| type S | øD | E | G | L | N | O | P | Q | kit code |
|--------|--------|---|------|----|------|-----|-----|-----|------------|
| F1 | 110 H8 | 5 | 10 | 89 | 48.5 | 130 | 160 | 9.5 | KM50.9.012 |
| F2 | 95 H8 | 5 | 14.5 | 72 | 31.5 | 115 | 140 | 11 | KM50.9.013 |

PM50**FB**... Feet
Piedini

PM50**BR**... Reaction arm
Braccio di reazione



R**M50FB**... Input shaft
Albero in entrata

PM50.....**S**... Single Shaft
Albero lento semplice

PM50.....**D**... Double Shaft
Albero lento bisp.



① kit cod. K050.5.028 type B
kit cod. KS050.5.030 type S
② kit cod. K050.5.029 type B

| | ød | e | g | l | m | x | kit code |
|--------|-------|----|---|----|------|-------|--|
| type B | 16 h6 | 18 | 5 | 30 | 79.5 | M6x16 | ① K050.5.006 PAM71 ② K050.5.007 PAM80 |
| type S | 14 h6 | 16 | 5 | 30 | 79.5 | M5x10 | ① KS050.5.008 PAM71 ② KS050.5.009 PAM80 |

| | b1 | c1 | d1 | e1 | f1 | l1 | m1 | n1 | t2 | o1 |
|--------|----|----|--|------|----|-----|------|-----|----|-------|
| type B | 8 | 52 | 25 ^{-0.005} _{-0.020} | 59.5 | 81 | 200 | 86.5 | 146 | 28 | M8x20 |
| type S | 8 | 50 | 24 ^{-0.005} _{-0.020} | 68.8 | - | - | 86.5 | 155 | 27 | M8x20 |