

Ficha Técnica  
 Reductor de velocidad  
 SIN-FIN CORONA CUADRADO



|                            |        |     |
|----------------------------|--------|-----|
| MODELO                     | Q63    |     |
| Ø EJE DE SALIDA            | 25     | mm  |
| RELACIÓN APROXIMADA        | 20     |     |
| RELACIÓN EXACTA            | 19.00  |     |
| VELOCIDAD DE SALIDA        | 73     | RPM |
| VELOCIDAD DE SALIDA EXACTA | 77     | RPM |
| POTENCIA DE ENTRADA        | 0.75   | KW  |
| ROTACIÓN DE ENTRADA        | 1400   | RPM |
| PAM DE ENTRADA             | 80B14  |     |
| PAR DE SALIDA              | 75.81  | N.m |
| PAR NOMINAL                | 138.00 | N.m |
| POTENCIA NOMINAL           | 1.4    | KW  |
| FACTOR DE SERVICIO         | 1.87   |     |
| EFICIENCIA DINÁMICA        | 0.78   |     |



Cantidad de Aceite (L)

| B3/H1 | B6/H4 | B7/H3 | B8/H2 | V5/H5 | V6/H6 |
|-------|-------|-------|-------|-------|-------|
| 0.3   | 0.3   | 0.3   | 0.3   | 0.3   | 0.3   |

Cargas Radiales y Axiales



| $n_2$ [min-1] | FA [N] | FR [N] |
|---------------|--------|--------|
| 200           | 360    | 1800   |
| 100           | 460    | 2300   |
| 50            | 600    | 3000   |
| 15            | 800    | 4000   |

Universal Motors S.A.  
 Rua Comendador Brandão, 484  
 4495-375 Póvoa de Varzim  
[geral@universalmotors.pt](mailto:geral@universalmotors.pt)  
 TEL.: 252 299 080

Universal Motors UK, Ltd  
 Unit E2, Meltham Mills Road  
 West Yorkshire HD9 4AR  
[enquiries@universalmotors-group.co.uk](mailto:enquiries@universalmotors-group.co.uk)  
 TEL.: +44(0) 1484660222

Universal Motors SL  
 C/La Habana n.6 nave 4 PI Camporoso  
 28806 Alcalá de Henares  
[info@universalmotors-group.es](mailto:info@universalmotors-group.es)  
 TEL.: 918 864 213

**PQ63FB...** Basic wormbox  
Riduttore base

Gearbox weight  
peso riduttore **6.00 kg**

| M. flanges | Kit code   | øF  | A    |
|------------|------------|-----|------|
| 63B5       | K063.4.041 | 140 | 99.5 |
| 71B5       | K063.4.042 | 160 | 97.5 |
| 80/90B5    | K063.4.043 | 200 | 99.5 |
| 71B14      | K063.4.047 | 105 | 97.5 |
| 80B14      | K063.4.046 | 120 | 99.5 |
| 90B14      | K063.4.041 | 140 | 99.5 |



**PQ63FC...** Square flange  
Flangia quadrata

**PQ63F1...** Round flange  
Flangia rotonda

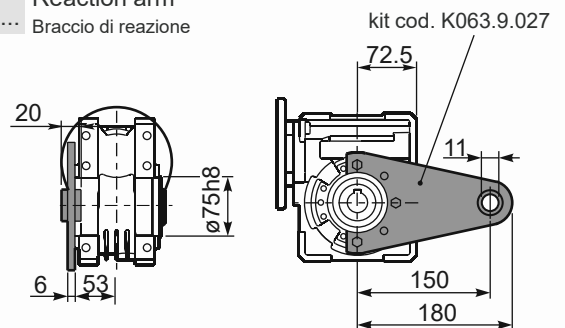


| type B | øD                                      | E | G  | L   | N  | O   | P   | Q  | kit code                     |
|--------|---|---|----|-----|----|-----|-----|----|------------------------------|
| FC     | 115 <sup>+0.20</sup> / <sub>+0.15</sub> | 6 | 12 | 86  | 26 | 150 | 180 | 11 | 1 KQ63.9.010<br>2 -          |
| FL     | 115 <sup>+0.20</sup> / <sub>+0.15</sub> | 6 | 12 | 116 | 56 | 150 | 180 | 11 | 1 KQ63.9.010<br>2 K063.0.200 |

| type S | øD                                      | E | G  | L   | N  | O   | P   | Q  | kit code             |
|--------|---|---|----|-----|----|-----|-----|----|----------------------|
| F1     | 130 <sup>+0.20</sup> / <sub>+0.15</sub> | 7 | 13 | 110 | 50 | 165 | 200 | 13 | 1 KS070.9.013<br>2 - |
| F2     | 115 <sup>+0.20</sup> / <sub>+0.15</sub> | 7 | 13 | 124 | 64 | 150 | 175 | 11 | 1 KS063.9.013<br>2 - |
| F3     | 110 <sup>+0.035</sup> / <sub>0</sub>    | 5 | 11 | 90  | 30 | 130 | 160 | 10 | 1 KS063.9.011<br>2 - |

**PQ63FB...** Feet  
Piedini

**PQ63BR...** Reaction arm  
Braccio di reazione



**RQ63FB...** Input shaft  
Albero in entrata

**PQ63.....S...** Single Shaft  
Albero lento semplice

**PQ63.....D...** Double Shaft  
Albero lento bisp.



1 kit cod. K063.5.028 type B    2 kit cod. K063.5.029 type B

|        | ød    | e    | g | l  | m  | x     | kit code                                   |
|--------|-------|------|---|----|----|-------|--|
| type B | 18 h6 | 20.5 | 6 | 45 | 93 | M6x16 | 1 K063.5.006 PAM80<br>2 K063.5.007 PAM90   |
| type S | 19 h6 | 21.5 | 6 | 40 | 93 | M8x20 | 1 KS063.5.008 PAM80<br>2 KS063.5.009 PAM90 |

|        | b1 | c1 | d1                                       | e1   | f1  | l1    | m1    | n1  | t2 | o1    |
|--------|----|----|--|------|-----|-------|-------|-----|----|-------|
| type B | 8  | 60 | 25 <sup>-0.005</sup> / <sub>-0.020</sub> | 63.2 | 120 | 246.4 | 126.8 | 190 | 28 | M8x20 |
| type S | -  | -  | -  | -    | -   | -     | -     | -   | -  | -     |