

|                            |        |     |
|----------------------------|--------|-----|
| MODELO                     | Q75    |     |
| Ø EJE DE SALIDA            | 30     | mm  |
| RELACIÓN APROXIMADA        | 20     |     |
| RELACIÓN EXACTA            | 20.00  |     |
| VELOCIDAD DE SALIDA        | 73     | RPM |
| VELOCIDAD DE SALIDA EXACTA | 73     | RPM |
| POTENCIA DE ENTRADA        | 0.75   | KW  |
| ROTACIÓN DE ENTRADA        | 1400   | RPM |
| PAM DE ENTRADA             | 80B14  |     |
| PAR DE SALIDA              | 84.92  | N.m |
| PAR NOMINAL                | 250.00 | N.m |
| POTENCIA NOMINAL           | 2.2    | KW  |
| FACTOR DE SERVICIO         | 2.93   |     |
| EFICIENCIA DINÁMICA        | 0.83   |     |



Cantidad de Aceite (L)

| B3/H1 | B6/H4 | B7/H3 | B8/H2 | V5/H5 | V6/H6 |
|-------|-------|-------|-------|-------|-------|
| 0.4   | 0.4   | 0.4   | 0.4   | 0.4   | 0.4   |

Cargas Radiales y Axiales



| $n_2$ [min-1] | FA [N] | FR [N] |
|---------------|--------|--------|
| 200           | 460    | 2300   |
| 100           | 560    | 2800   |
| 50            | 720    | 3600   |
| 15            | 1000   | 5000   |

**PQ75FB...** Basic wormbox  
Riduttore base

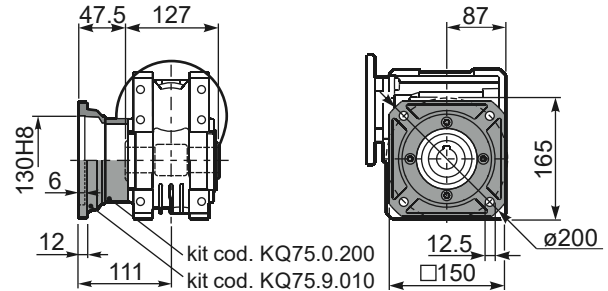
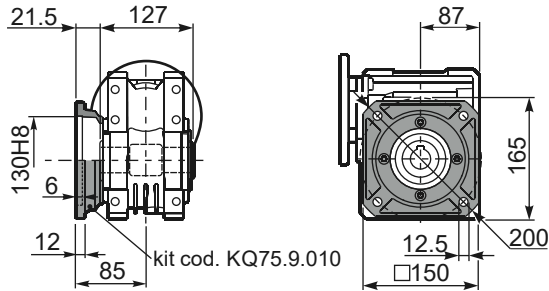
Gearbox weight  
peso riduttore **8.70 kg**

| M. flanges | Kit code   | øF  | A   |
|------------|------------|-----|-----|
| 71B5       | K023.4.041 | 160 | 114 |
| 80/90B5    | K023.4.042 | 200 | 116 |
| 100/112B5  | K023.4.043 | 250 | 125 |
| 80B14      | K085.4.046 | 120 | 116 |
| 90B14      | K085.4.045 | 140 | 116 |
| 100/112B14 | K085.4.047 | 160 | 125 |



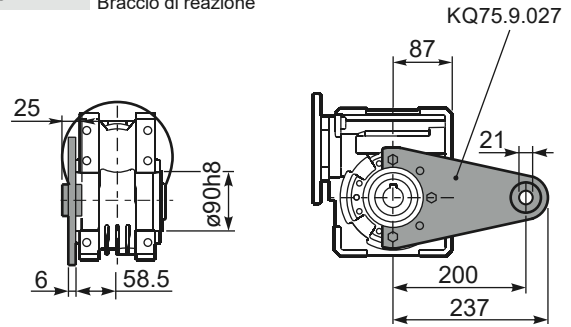
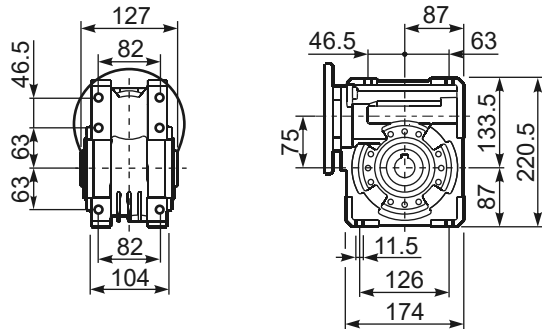
**PQ75FC...** Square flange  
Flangia quadrata

**PQ75FL...** Square flange  
Flangia quadrata



**PQ75FB...** Feet  
Piedini

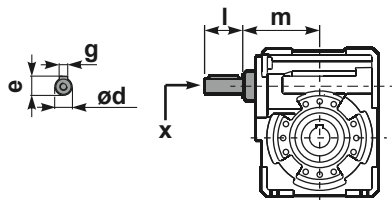
**PQ75BR...** Reaction arm  
Braccio di reazione



**RQ75FB...** Input shaft  
Albero in entrata

**PQ75....S...** Single Shaft  
Albero lento semplice

**PQ75....D...** Double Shaft  
Albero lento bisp.



① kit cod. KQ75.5.028 Standard  
kit cod. KQ75.5.026 On request

② kit cod. KQ75.5.029 Standard

|        | ød    | e    | g | l  | m     | x     | kit code  |
|--------|-------|------|---|----|-------|-------|---|
| type B | 25 h6 | 27.8 | 8 | 50 | 109.5 | M8x20 | KQ75.5.006 PAM80<br>K085.5.007 PAM90<br>K085.5.008 PAM100 |

|            | b1 | c1 | d1                                     | e1 | f1  | l1  | m1  | n1  | t2 | o1    |
|------------|----|----|--|----|-----|-----|-----|-----|----|-------|
| Standard   | 8  | 60 | 30 <sup>-0.005</sup> <sub>-0.020</sub> | 65 | 127 | 255 | 134 | 199 | 33 | M8x20 |
| On request | 8  | 60 | 28 <sup>-0.005</sup> <sub>-0.020</sub> | 65 | -   | -   | 134 | 199 | 31 | M8x20 |