

| | | |
|----------------------------|--------|-----|
| MODELO | Q75 | |
| Ø EJE DE SALIDA | 30 | mm |
| RELACIÓN APROXIMADA | 25 | |
| RELACIÓN EXACTA | 25.00 | |
| VELOCIDAD DE SALIDA | 58 | RPM |
| VELOCIDAD DE SALIDA EXACTA | 58 | RPM |
| POTENCIA DE ENTRADA | 0.75 | KW |
| ROTACIÓN DE ENTRADA | 1400 | RPM |
| PAM DE ENTRADA | 80B14 | |
| PAR DE SALIDA | 102.31 | N.m |
| PAR NOMINAL | 250.00 | N.m |
| POTENCIA NOMINAL | 1.8 | KW |
| FACTOR DE SERVICIO | 2.40 | |
| EFICIENCIA DINÁMICA | 0.80 | |



Cantidad de Aceite (L)

| B3/H1 | B6/H4 | B7/H3 | B8/H2 | V5/H5 | V6/H6 |
|-------|-------|-------|-------|-------|-------|
| 0.4 | 0.4 | 0.4 | 0.4 | 0.4 | 0.4 |

Cargas Radiales y Axiales



| n_2 [min-1] | FA [N] | FR [N] |
|---------------|--------|--------|
| 200 | 460 | 2300 |
| 100 | 560 | 2800 |
| 50 | 720 | 3600 |
| 15 | 1000 | 5000 |

PQ75FB... Basic wormbox
Riduttore base

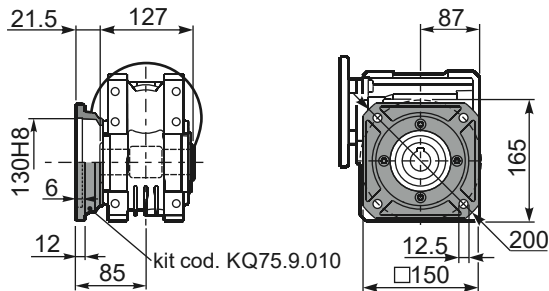
Gearbox weight
peso riduttore **8.70 kg**

| M. flanges | Kit code | øF | A |
|------------|------------|-----|-----|
| 71B5 | K023.4.041 | 160 | 114 |
| 80/90B5 | K023.4.042 | 200 | 116 |
| 100/112B5 | K023.4.043 | 250 | 125 |
| 80B14 | K085.4.046 | 120 | 116 |
| 90B14 | K085.4.045 | 140 | 116 |
| 100/112B14 | K085.4.047 | 160 | 125 |



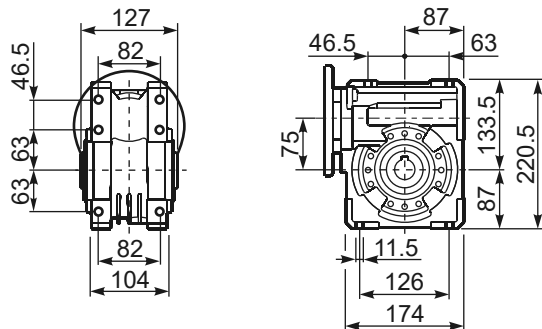
PQ75FC... Square flange
Flangia quadrata

PQ75FL... Square flange
Flangia quadrata



PQ75FB... Feet
Piedini

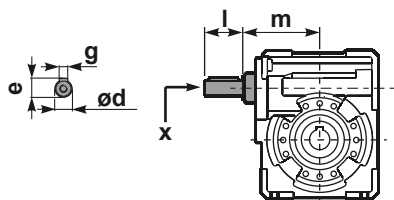
PQ75BR... Reaction arm
Braccio di reazione



RQ75FB... Input shaft
Albero in entrata

PQ75....S... Single Shaft
Albero lento semplice

PQ75....D... Double Shaft
Albero lento bisp.



① kit cod. KQ75.5.028 Standard
kit cod. KQ75.5.026 On request
② kit cod. KQ75.5.029 Standard

| | ød | e | g | l | m | x | kit code |
|--------|-------|------|---|----|-------|-------|---|
| type B | 25 h6 | 27.8 | 8 | 50 | 109.5 | M8x20 | KQ75.5.006 PAM80 K085.5.007 PAM90 K085.5.008 PAM100 |

| | b1 | c1 | d1 | e1 | f1 | l1 | m1 | n1 | t2 | o1 |
|------------|----|----|--|----|-----|-----|-----|-----|----|-------|
| Standard | 8 | 60 | 30 ^{-0.005} _{-0.020} | 65 | 127 | 255 | 134 | 199 | 33 | M8x20 |
| On request | 8 | 60 | 28 ^{-0.005} _{-0.020} | 65 | - | - | 134 | 199 | 31 | M8x20 |