

MODELO	Q75	
Ø EJE DE SALIDA	30	mm
RELACIÓN APROXIMADA	40	
RELACIÓN EXACTA	40.00	
VELOCIDAD DE SALIDA	37	RPM
VELOCIDAD DE SALIDA EXACTA	37	RPM
POTENCIA DE ENTRADA	0.75	KW
ROTACIÓN DE ENTRADA	1400	RPM
PAM DE ENTRADA	80B5	
PAR DE SALIDA	147.33	N.m
PAR NOMINAL	255.00	N.m
POTENCIA NOMINAL	1.3	KW
FACTOR DE SERVICIO	1.73	
EFICIENCIA DINÁMICA	0.72	



Cantidad de Aceite (L)

B3/H1	B6/H4	B7/H3	B8/H2	V5/H5	V6/H6
0.4	0.4	0.4	0.4	0.4	0.4

Cargas Radiales y Axiales

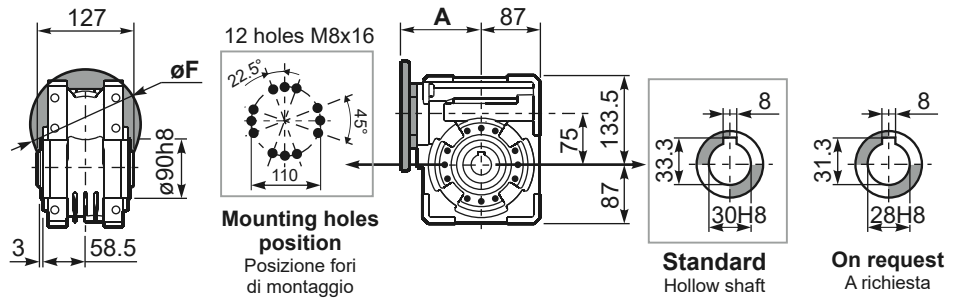


$n_2$ [min <sup>-1</sup> ]	FA [N]	FR [N]
200	460	2300
100	560	2800
50	720	3600
15	1000	5000

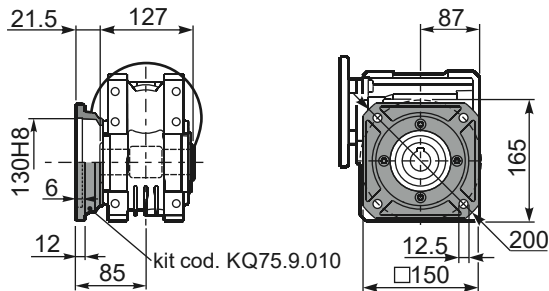
**PQ75FB...** Basic wormbox  
Riduttore base

Gearbox weight  
peso riduttore **8.70 kg**

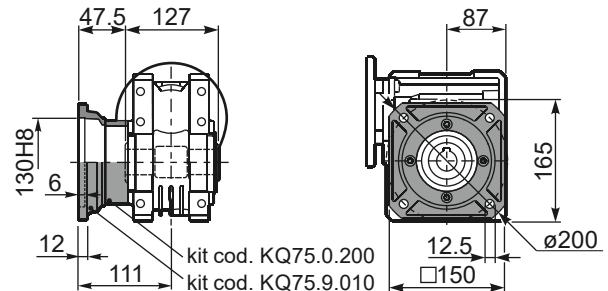
M. flanges	Kit code	øF	A
71B5	K023.4.041	160	114
80/90B5	K023.4.042	200	116
100/112B5	K023.4.043	250	125
80B14	K085.4.046	120	116
90B14	K085.4.045	140	116
100/112B14	K085.4.047	160	125



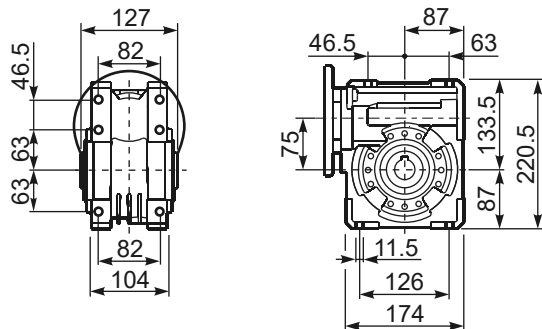
**PQ75FC...** Square flange  
Flangia quadrata



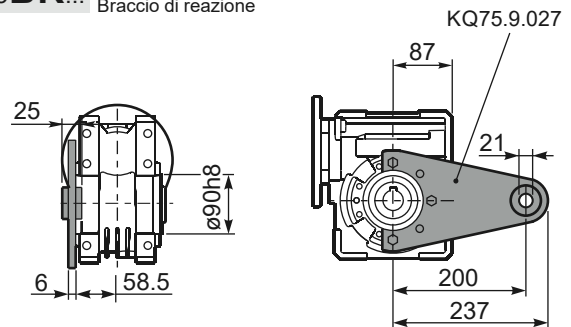
**PQ75FL...** Square flange  
Flangia quadrata



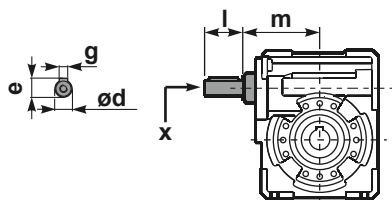
**PQ75FB...** Feet  
Piedini



**PQ75BR...** Reaction arm  
Braccio di reazione

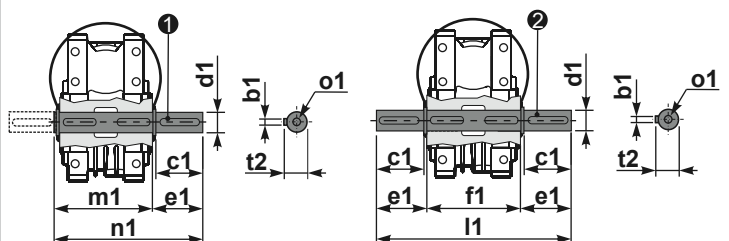


**RQ75FB...** Input shaft  
Albero in entrata



**PQ75....S...** Single Shaft  
Albero lento semplice

**PQ75....D...** Double Shaft  
Albero lento bisp.



1 kit cod. KQ75.5.028 Standard  
kit cod. KQ75.5.026 On request

2 kit cod. KQ75.5.029 Standard

	ød	e	g	l	m	x	kit code
type B	25 h6	27.8	8	50	109.5	M8x20	KQ75.5.006 PAM80 K085.5.007 PAM90 K085.5.008 PAM100

	b1	c1	d1	e1	f1	l1	m1	n1	t2	o1
Standard	8	60	30 <sup>-0.005</sup> <sub>-0.020</sub>	65	127	255	134	199	33	M8x20
On request	8	60	28 <sup>-0.005</sup> <sub>-0.020</sub>	65	-	-	134	199	31	M8x20