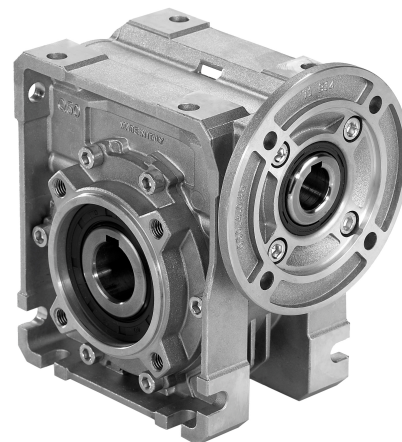


Ficha Técnica  
 Reductor de velocidad  
 SIN-FIN CORONA CUADRADO



MODELO	Q85	
Ø EJE DE SALIDA	35	mm
RELACIÓN APROXIMADA	15	
RELACIÓN EXACTA	14.00	
VELOCIDAD DE SALIDA	97	RPM
VELOCIDAD DE SALIDA EXACTA	104	RPM
POTENCIA DE ENTRADA	1.50	KW
ROTACIÓN DE ENTRADA	1400	RPM
PAM DE ENTRADA	90B14	
PAR DE SALIDA	111.73	N.m
PAR NOMINAL	305.00	N.m
POTENCIA NOMINAL	4.1	KW
FACTOR DE SERVICIO	2.73	
EFICIENCIA DINÁMICA	0.78	



Cantidad de Aceite (L)

B3/H1	B6/H4	B7/H3	B8/H2	V5/H5	V6/H6
1.2	1.2	1.2	1.2	1.2	1.2

Cargas Radiales y Axiales



$n_2$ [min-1]	FA [N]	FR [N]
200	500	2500
100	600	3000
50	800	4000
15	1160	5800

Universal Motors S.A.  
 Rua Comendador Brandão, 484  
 4495-375 Póvoa de Varzim  
[geral@universalmotors.pt](mailto:geral@universalmotors.pt)  
 TEL.: 252 299 080

Universal Motors UK, Ltd  
 Unit E2, Meltham Mills Road  
 West Yorkshire HD9 4AR  
[enquiries@universalmotors-group.co.uk](mailto:enquiries@universalmotors-group.co.uk)  
 TEL.: +44(0) 1484660222

Universal Motors SL  
 C/La Habana n.6 nave 4 PI Camporoso  
 28806 Alcalá de Henares  
[info@universalmotors-group.es](mailto:info@universalmotors-group.es)  
 TEL.: 918 864 213

**PQ85FB...** Basic wormbox  
Riduttore base

Gearbox weight  
peso riduttore **12.1 kg**

M. flanges	Kit code	øF	A
<b>71B5</b>	K023.4.041	160	116.5
<b>80/90B5</b>	K023.4.042	200	118.5
<b>100/112B5</b>	K023.4.043	250	127.5
<b>80B14</b>	K085.4.046	120	118.5
<b>90B14</b>	K085.4.045	140	118.5
<b>100/112B14</b>	K085.4.047	160	127.5



**PQ85FC...** Output flange  
Flangia uscita

**PQ85F1...** Output flange  
Flangia uscita



type B	øD	E	G	L	N	O	P	Q	kit code
<b>FC</b>	152 <sup>+0.06</sup> / <sub>+0.00</sub>	5	16	108	40.5	176	205	13	① K085.9.010 ② -
<b>FL</b>	152 <sup>+0.06</sup> / <sub>+0.00</sub>	5	16	148.5	81	176	205	13	① K085.9.010 ② K085.0.201

type S	øD	E	G	L	N	O	P	Q	kit code
<b>F1</b>	130 H7	5	13	117.5	50	165	200	11.5	① KS085.9.012 ② -
<b>F2</b>	152 <sup>+0.06</sup> / <sub>+0.00</sub>	5	15	147.5	80	180	205	12.5	① KS085.9.013 ② -
<b>F4</b>	130 H7	5	13	106.5	39	165	200	13	① KS085.9.015 ② -

**PQ85FB...** Feet  
Piedini

**PQ85BR...** Reaction arm  
Braccio di reazione



**RQ85FB...** Input shaft  
Albero in entrata

**PQ85.....S...** Single Shaft  
Albero lento semplice

**PQ85.....D...** Double Shaft  
Albero lento bisp.



① kit cod. K085.5.028 type B      ② kit cod. K085.5.029 type B

	ød	e	g	l	m	x	kit code
type B	25 h6	28	8	50	112	M8x20	① K085.5.007 PAM90 ② K085.5.008 PAM100
type S	24 h6	27	8	50	112	M8x20	① KS085.5.009 PAM90 ② KS085.5.011 PAM100

	b1	c1	d1	e1	f1	l1	m1	n1	t2	o1
type B	10	60	35 <sup>-0.005</sup> / <sub>-0.020</sub>	73.5	135	282	141	214.5	38	M10x23
type S	-	-	-	-	-	-	-	-	-	-