

Ficha Técnica
 Reductor de velocidad
 SIN-FIN CORONA CUADRADO



| | | |
|----------------------------|--------|-----|
| MODELO | Q11 | |
| Ø EJE DE SALIDA | 42 | mm |
| RELACIÓN APROXIMADA | 100 | |
| RELACIÓN EXACTA | 99.00 | |
| VELOCIDAD DE SALIDA | 15 | RPM |
| VELOCIDAD DE SALIDA EXACTA | 15 | RPM |
| POTENCIA DE ENTRADA | 0.75 | KW |
| ROTACIÓN DE ENTRADA | 1400 | RPM |
| PAM DE ENTRADA | 80B5 | |
| PAR DE SALIDA | 303.87 | N.m |
| PAR NOMINAL | 483.00 | N.m |
| POTENCIA NOMINAL | 1.2 | KW |
| FACTOR DE SERVICIO | 1.60 | |
| EFICIENCIA DINÁMICA | 0.60 | |



Cantidad de Aceite (L)

| B3/H1 | B6/H4 | B7/H3 | B8/H2 | V5/H5 | V6/H6 |
|-------|-------|-------|-------|-------|-------|
| 1.9 | 1.35 | 1.35 | 2 | 2 | 2 |

Cargas Radiales y Axiales



| n_2 [min ⁻¹] | FA [N] | FR [N] |
|----------------------------|--------|--------|
| 200 | 600 | 2900 |
| 100 | 750 | 3600 |
| 50 | 920 | 4600 |
| 15 | 1400 | 7000 |

Universal Motors S.A.
 Rua Comendador Brandão, 484
 4495-375 Póvoa de Varzim
geral@universalmotors.pt
 TEL.: 252 299 080

Universal Motors UK, Ltd
 Unit E2, Meltham Mills Road
 West Yorkshire HD9 4AR
enquiries@universalmotors-group.co.uk
 TEL.: +44(0) 1484660222

Universal Motors SL
 C/La Habana n.6 nave 4 PI Camporoso
 28806 Alcalá de Henares
info@universalmotors-group.es
 TEL.: 918 864 213

PQ11FB... Basic wormbox
Riduttore base

Gearbox weight
peso riduttore **35.0 kg**

| M. flanges | Kit code | øF | A |
|------------|------------|-----|-----|
| 71B5 | K023.4.041 | 160 | 136 |
| 80/90B5 | K023.4.042 | 200 | 138 |
| 100/112B5 | K023.4.043 | 250 | 147 |
| 132B5 | - | 300 | 187 |
| | | | |
| 80B14 | K085.4.046 | 120 | 138 |
| 90B14 | K085.4.045 | 140 | 138 |
| 100/112B14 | K023.4.041 | 160 | 136 |
| 132B14 | - | 200 | 187 |



PQ11FC... Output flange
Flangia uscita

PQ11F1... Output flange
Flangia uscita

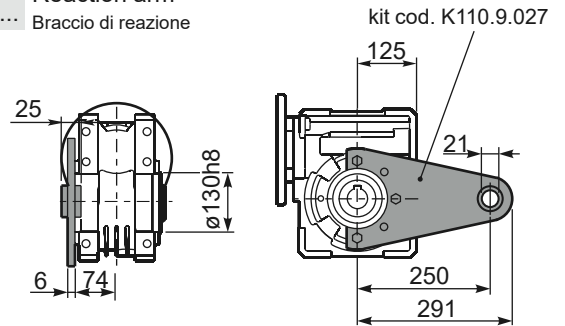
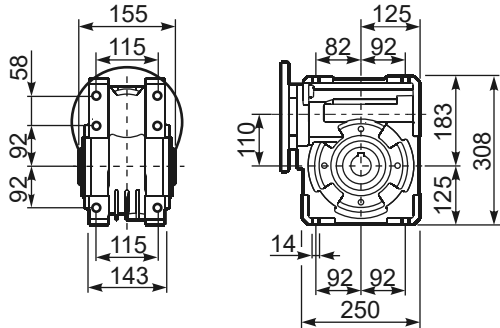


| type B | øD | E | G | L | N | O | P | Q | kit code |
|--------|---|----|------|-------|-----|-----|-----|----|---------------------|
| FC | 170 ^{+0.083} / _{+0.043} | 11 | 16.5 | 131.5 | 54 | 230 | 270 | 13 | ① K110.9.010 ② - |
| FL | 170 ^{+0.083} / _{+0.043} | 11 | 16.5 | 179.5 | 102 | 230 | 270 | 13 | ① K110.9.011 ② - |

| type S | øD | E | G | L | N | O | P | Q | kit code |
|--------|--------------------------------------|---|----|-----|------|-----|-----|----|----------------------|
| F1 | 180 ^{+0.040} / ₀ | 5 | 18 | 150 | 72.5 | 215 | 250 | 15 | ① KS110.9.014 ② - |
| F3 | 180 ^{+0.040} / ₀ | 5 | 18 | 130 | 52.5 | 215 | 250 | 15 | ① KS110.9.013 ② - |

PQ11FB... Feet
Piedini

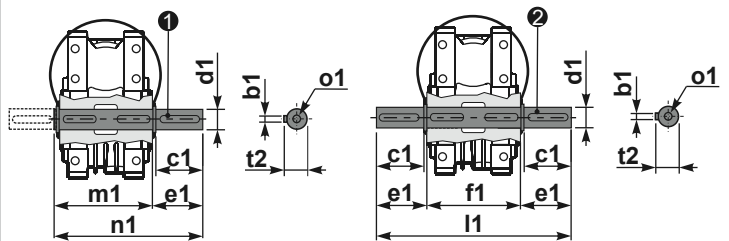
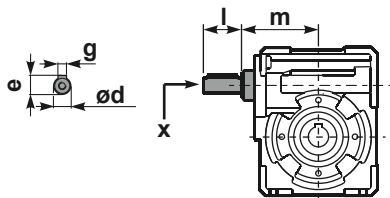
PQ11BR... Reaction arm
Braccio di reazione



RQ11FB... Input shaft
Albero in entrata

PQ11.....S... Single Shaft
Albero lento semplice

PQ11.....D... Double Shaft
Albero lento bisp.



① kit cod. K110.5.028 type B ② kit cod. K110.5.029 type B

| | ød | e | g | l | m | x | kit code |
|--------|-------|----|---|----|-------|-------|---|
| type B | 25 h6 | 28 | 8 | 50 | 131.5 | M8x20 | ① K085.5.007 PAM90 ② K085.5.008 PAM100 |
| type S | 24 h6 | 27 | 8 | 50 | 131.5 | M8x20 | ① KS085.5.009 PAM90 ② KS085.5.011 PAM100 |

| | b1 | c1 | d1 | e1 | f1 | l1 | m1 | n1 | t2 | o1 |
|--------|----|----|--|------|-----|-----|-------|-----|----|--------|
| type B | 12 | 75 | 42 ^{-0.005} / _{-0.020} | 96.5 | 155 | 348 | 163.5 | 260 | 45 | M12x32 |
| type S | - | - | - | - | - | - | - | - | - | - |