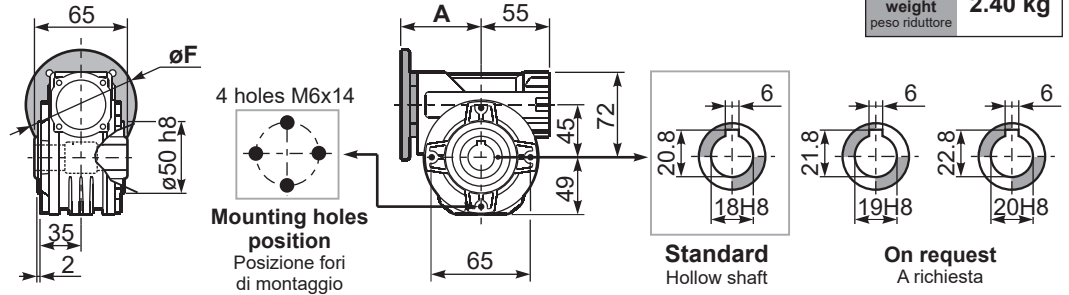


**P045FB...** Basic wormbox  
Riduttore base

Gearbox weight  
peso riduttore **2.40 kg**

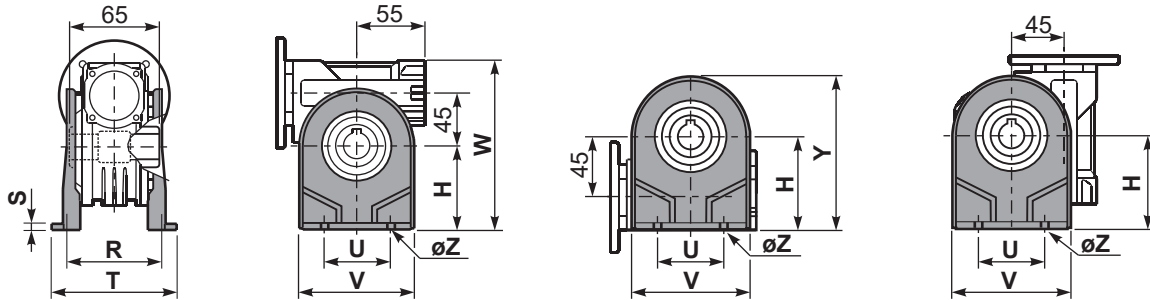
M. flanges	Kit code	øF	A
<b>63B5</b>	K050.4.041	138	74
<b>71B5</b>	K050.4.042	160	71.5
<b>56B14</b>	KC40.4.049	80	71.5
<b>63B14</b>	K050.4.047	90	74
<b>71B14</b>	K050.4.045	105	71.5



**P045PA...** Feet  
Piedini

**P045PB...** Feet  
Piedini

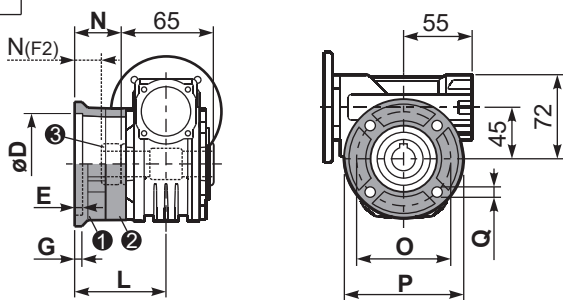
**P045PV...** Feet  
Piedini



	H	R	S	T	U	V	Y	W	øZ	kit code
type B	72	81	3	100	52	98	121	144	ø10.5	K045.9.022
type S	71	84	8	100	70	90	120	143	ø8	KS045.9.023

**P045FC...** Output flange  
Flangia uscita

**P045BR...** Reaction arm  
Braccio di reazione



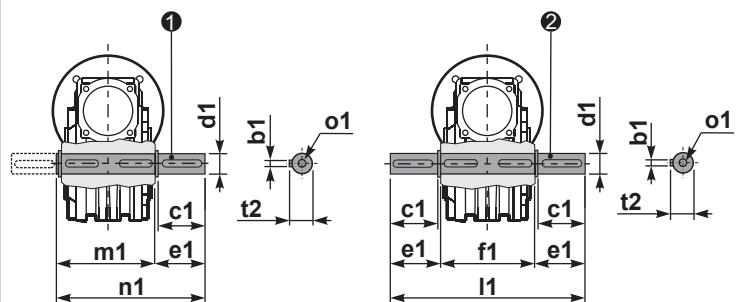
type B	øD	E	G	L	N	O	P	Q	kit code
<b>FC</b>	60 <sup>+0.15</sup> / <sub>+0.05</sub>	9	9	60.5	28	87	110	8.5	① K045.9.010 ② -
<b>FL</b>	60 <sup>+0.15</sup> / <sub>+0.05</sub>	9	9	90.5	58	87	110	8.5	① K045.9.010 ② K045.0.200

type S	øD	E	G	L	N	O	P	Q	kit code
<b>F1</b>	95 <sup>+0.20</sup> / <sub>+0.15</sub>	4	11	73.5	41	115	140	9	① KS045.9.013 ② -
<b>F2</b>	60 <sup>+0.15</sup> / <sub>+0.05</sub>	9	9	60.5	19	87	110	8.5	① KS045.9.010 ② S045.0.204
<b>F3</b>	80 <sup>+0.15</sup> / <sub>+0.10</sub>	3	8	51.5	19	100	120	9	① KS045.9.014 ② -

**P045.....S...** Single Shaft  
Albero lento semplice

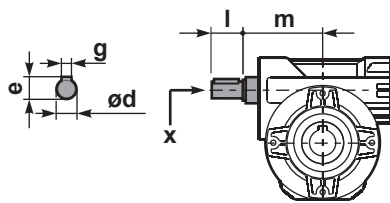
**P045.....D...** Double Shaft  
Albero lento bisp.



① kit cod. K045.5.028 type B  
kit cod. KS045.5.030 type S

② kit cod. K045.5.029 type B

**R045FB...** Input shaft  
Albero in entrata



	ød	e	g	l	m	x	kit code
type B	11 h6	12.5	4	30	68	-	① ② K045.5.006 PAM71
type S	-	-	-	-	-	-	① ② -

	b1	c1	d1	e1	f1	l1	m1	n1	t2	o1
type B	6	32	18 <sup>-0.005</sup> / <sub>-0.020</sub>	43	65	151	70	113	20.5	M6x18
type S	6	40	19 <sup>-0.005</sup> / <sub>-0.020</sub>	58.8	-	-	70	128.5	21.5	M8x20