

Ficha Técnica  
Redutor de Velocidade  
PARAFUSO SEM FIM REDONDO



|                        |        |     |
|------------------------|--------|-----|
| MODELO                 | 050    |     |
| Ø VEIO SAÍDA           | 25     | mm  |
| RÁCIO APROXIMADO       | 100    |     |
| RÁCIO EXATO            | 100.00 |     |
| VELOCIDADE SAÍDA       | 15     | RPM |
| VELOCIDADE SAÍDA EXATA | 15     | RPM |
| POTÊNCIA ENTRADA       | 0.18   | KW  |
| ROTAÇÃO ENTRADA        | 1400   | RPM |
| PAM ENTRADA            | 63B5   |     |
| TORQUE SAÍDA           | 61.39  | N.m |
| TORQUE NOMINAL         | 51.00  | N.m |
| POTÊNCIA NOMINAL       | 0.15   | KW  |
| FATOR SERVIÇO          | 0.83   |     |
| EFICIÊNCIA DINÂMICA    | 0.50   |     |



QUANTIDADE DE ÓLEO (L)

| B3/H1 | B6/H4 | B7/H3 | B8/H2 | V5/H5 | V6/H6 |
|-------|-------|-------|-------|-------|-------|
| 0.14  | 0.14  | 0.14  | 0.14  | 0.14  | 0.14  |

CARGAS RADIAIS E AXIAIS



| $n_2$ [min-1] | FA [N] | FR [N] |
|---------------|--------|--------|
| 200           | 240    | 1200   |
| 100           | 300    | 1500   |
| 50            | 380    | 1900   |
| 15            | 560    | 2800   |

Universal Motors S.A.  
Rua Comendador Brandão, 484  
4495-375 Póvoa de Varzim  
[geral@universalmotors.pt](mailto:geral@universalmotors.pt)  
TEL.: 252 299 080

Universal Motors UK, Ltd  
Unit E2, Meltham Mills Road  
West Yorkshire HD9 4AR  
[enquiries@universalmotors-group.co.uk](mailto:enquiries@universalmotors-group.co.uk)  
TEL.: +44(0) 1484660222

Universal Motors SL  
C/La Habana n.6 nave 4 Pl Camporosso  
28806 Alcala de Henares  
[info@universalmotors-group.es](mailto:info@universalmotors-group.es)  
TEL.: 918 864 213

**P050FB...** Basic wormbox  
Riduttore base

Gearbox weight  
peso riduttore **3.00 kg**

| M. flanges   | Kit code   | øF  | A    |
|--------------|------------|-----|------|
| <b>63B5</b>  | K050.4.041 | 138 | 78.5 |
| <b>71B5</b>  | K050.4.042 | 160 | 76   |
| <b>80B5</b>  | K050.4.043 | 200 | 76.5 |
| <b>56B14</b> | KC40.4.049 | 80  | 76   |
| <b>63B14</b> | K050.4.047 | 90  | 78.5 |
| <b>71B14</b> | K050.4.045 | 105 | 76   |
| <b>80B14</b> | K050.4.046 | 120 | 76.5 |

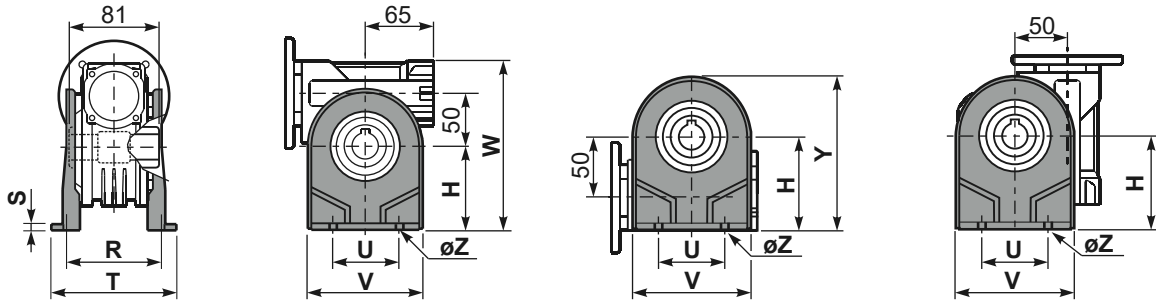


**Standard** Hollow shaft  
**On request "type S"** A richiesta "tipo S"

**P050PA...** Feet  
Piedini

**P050PB...** Feet  
Piedini

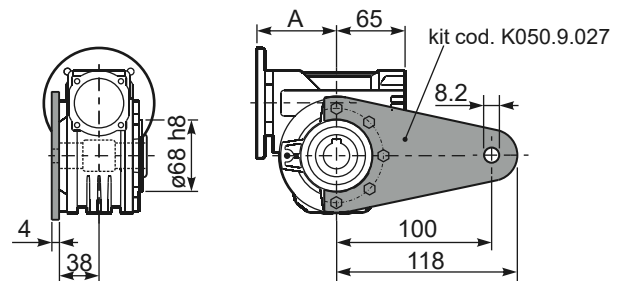
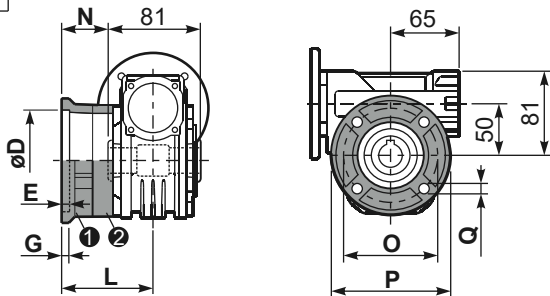
**P050PV...** Feet  
Piedini



|        | H  | R    | S   | T   | U  | V   | Y     | W   | øZ    | kit code    |
|--------|----|------|-----|-----|----|-----|-------|-----|-------|-------------|
| type B | 82 | 98.5 | 3.5 | 123 | 63 | 113 | 138.5 | 163 | ø10.5 | K050.9.022  |
| type S | 85 | 96   | 10  | 114 | 85 | 110 | 139.5 | 166 | ø10   | KS050.9.023 |

**P050FC...** Output flange  
Flangia uscita

**P050BR...** Reaction arm  
Braccio di reazione



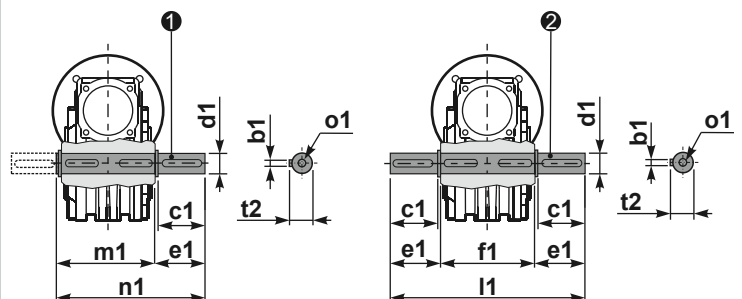
| type B    | øD                                     | E | G  | L     | N    | O  | P   | Q    | kit code                     |
|-----------|--|---|----|-------|------|----|-----|------|------------------------------|
| <b>FC</b> | 70 <sup>+0.20</sup> / <sub>+0.15</sub> | 9 | 12 | 85    | 44.5 | 90 | 123 | 10.5 | ① K050.9.010<br>② -          |
| <b>FL</b> | 70 <sup>+0.20</sup> / <sub>+0.15</sub> | 9 | 12 | 114.5 | 74   | 90 | 123 | 10.5 | ① K050.9.010<br>② K050.0.200 |

| type S    | øD                                      | E | G  | L    | N  | O   | P   | Q    | kit code             |
|-----------|---|---|----|------|----|-----|-----|------|----------------------|
| <b>F1</b> | 110 <sup>+0.20</sup> / <sub>+0.15</sub> | 4 | 11 | 83.5 | 43 | 130 | 160 | 10   | ① KS050.9.012<br>② - |
| <b>F2</b> | 70 <sup>+0.20</sup> / <sub>+0.15</sub>  | 9 | 12 | 76.5 | 36 | 90  | 123 | 10.5 | ① KS050.9.014<br>② - |
| <b>F3</b> | 95 <sup>+0.035</sup> / <sub>0</sub>     | 4 | 10 | 66.5 | 26 | 115 | 140 | 10   | ① KS050.9.013<br>② - |

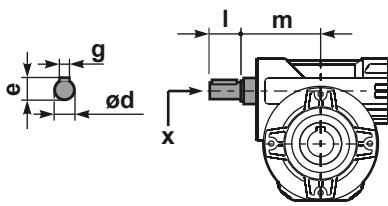
**P050.....S...** Single Shaft  
Albero lento semplice

**P050.....D...** Double Shaft  
Albero lento bisp.



① kit cod. K050.5.028 type B  
kit cod. KS050.5.030 type S  
② kit cod. K050.5.029 type B

**R050FB...** Input shaft  
Albero in entrata



|        | ød    | e  | g | l  | m    | x     | kit code                                   |
|--------|-------|----|---|----|------|-------|--|
| type B | 16 h6 | 18 | 5 | 30 | 74.5 | M6x16 | ① K050.5.006 PAM71<br>② K050.5.007 PAM80   |
| type S | 14 h6 | 16 | 5 | 30 | 74.5 | M5x10 | ① KS050.5.008 PAM71<br>② KS050.5.009 PAM80 |

|        | b1 | c1 | d1                                       | e1   | f1 | l1  | m1   | n1  | t2 | o1    |
|--------|----|----|--|------|----|-----|------|-----|----|-------|
| type B | 8  | 52 | 25 <sup>-0.005</sup> / <sub>-0.020</sub> | 59.5 | 81 | 200 | 86.5 | 146 | 28 | M8x20 |
| type S | 8  | 50 | 24 <sup>-0.005</sup> / <sub>-0.020</sub> | 68.8 | -  | -   | 86.5 | 155 | 27 | M8x20 |