

| | | |
|------------------------|--------|-----|
| MODELO | 412A | |
| Ø VEIO SAÍDA | 25 | mm |
| RÁCIO APROXIMADO | 38 | |
| RÁCIO EXATO | 38.37 | |
| VELOCIDADE SAÍDA | 38 | RPM |
| VELOCIDADE SAÍDA EXATA | 38 | RPM |
| POTÊNCIA ENTRADA | 0.75 | KW |
| ROTAÇÃO ENTRADA | 1400 | RPM |
| PAM ENTRADA | 80B14 | |
| TORQUE SAÍDA | 188.44 | N.m |
| TORQUE NOMINAL | 160.00 | N.m |
| POTÊNCIA NOMINAL | 0.64 | KW |
| FATOR SERVIÇO | 0.85 | |
| EFICIÊNCIA DINÂMICA | 0.96 | |

QUANTIDADE DE ÓLEO (L)

| B3/H1 | B6/H4 | B7/H3 | B8/H2 | V5/H5 | V6/H6 |
|-------|-------|-------|-------|-------|-------|
| 0.25 | 0.35 | 0.4 | 0.45 | 0.4 | 0.5 |

CARGAS RADIAIS E AXIAIS



| n_2 [min-1] | F_A [N] | F_R [N] |
|---------------|-----------|-----------|
| 300 | 310 | 1550 |
| 200 | 360 | 1800 |
| 120 | 448 | 2240 |
| 70 | 540 | 2700 |

P412A **B1** ... With feet
Con piedini

Gearbox weight **5.7 kg**
peso riduttore With flange
With feet **5.9 Kg**



Feet / piedini

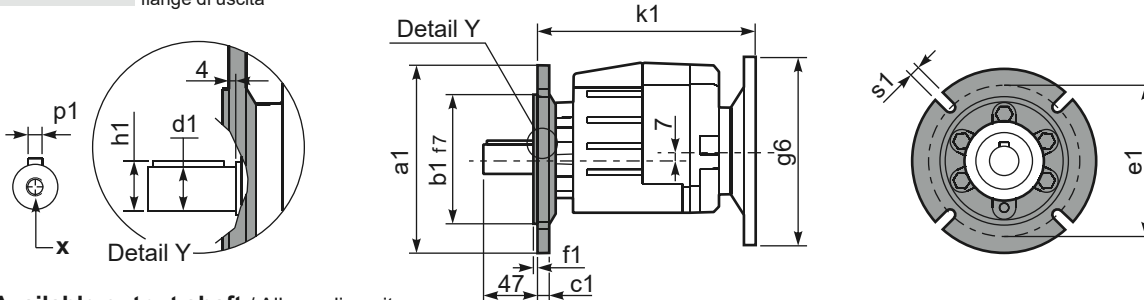
| Feet Code | Market reference | G | H | R | L | L1 | S | H1 | O | øl | S2 only with motor flange | B5 max. Flange | kit code |
|-----------|------------------|----|-----|---------|--------|----|-----|-------|----|----|----------------------------|----------------|------------|
| B1 | 112 | 18 | 85 | 110 | 87 | 50 | 130 | 167.5 | 15 | - | 8/33 80/90B5 100/112B5 | - | KC35.9.021 |
| B2 | 212/3 | 18 | 100 | 130 | 107.5 | 60 | 155 | 182.5 | 17 | 11 | 18 100/112B5 | - | KC40.9.025 |
| S1 | 17 | 18 | 75 | 110 | 90±110 | 50 | 145 | 155.5 | 15 | 9 | 18/43 80/90B5 100/112B5 | - | KC40.9.022 |
| S2 | 27 | 25 | 90 | 110 | 130 | - | 145 | 172.5 | 20 | 9 | 3/28 80/90B5 100/112B5 | - | KC40.9.024 |
| H2 | 022-223 | 25 | 100 | 110 | 115 | - | 145 | 182.5 | 20 | 9 | 18 100/112B5 | - | KC40.9.026 |
| M1 | 42/3 | 25 | 80 | 110±120 | 85 | - | 145 | 162.5 | 15 | 9 | 13/38 80/90B5 100/112B5 | - | KC40.9.023 |

Other feet are available, see our web site
Sono disponibili altri piedini, consulta il nostro sito web

A see on page bottom

Most popular types
Tipi più diffusi

P412A-**F** ... Output flanges
flange di uscita



***Available output shaft / Albero di uscita**

| | Shaft - d1 | p1 | h1 | x |
|---------------------------|------------|----|------|-------|
| Standard | ø 25x50 | 8 | 28 | M8x19 |
| On request A richiesta | ø 16x40 | 5 | 18 | M6x16 |
| | ø 19x40 | 6 | 21.5 | M6x16 |
| | ø 20x40 | 6 | 22.5 | M8x19 |
| | ø 24x50 | 8 | 27 | M8x19 |

Available output flanges / flange di uscita

| a1 ø | b1 | c1 | e1 | f1 | s1 | kit code |
|------|-----|------|-----|-----|----|------------|
| 120 | 80 | 10 | 100 | 3 | 7 | KC40.9.010 |
| 140 | 95 | 10 | 115 | 3 | 9 | KC40.9.011 |
| 160 | 110 | 10 | 130 | 3.5 | 9 | KC40.9.012 |
| 200 | 130 | 10 | 165 | 3.5 | 11 | KC40.9.013 |
| 250 | 180 | 11.5 | 215 | 3.5 | 14 | KC40.9.014 |

With flange and feet only on request. Ask for compatibility

P412A-**N** ... Basic gearbox
Riduttore base

R412A-N ... Input Shaft
Albero in entrata



| B5 Motor Flanges | A | C _{max} | g6 | k1 | kit code |
|------------------|-------|------------------|-----|-------|------------|
| 63 B5 | 181.5 | 177 | 140 | 185.5 | K063.4.041 |
| 71 B5 | 179.5 | 187 | 160 | 183.5 | K063.4.042 |
| 80/90 B5 | 181.5 | 207 | 200 | 185.5 | K063.4.043 |
| 100/112 B5 | 196.5 | 232 | 250 | 200.5 | KC40.4.043 |

| B14 Motor Flanges | A | C _{max} | g6 | k1 | kit code |
|-------------------|-------|------------------|-----|-------|------------|
| 71 B14 | 179.5 | 159.5 | 105 | 183.5 | K063.4.047 |
| 80 B14 | 181.5 | 167 | 120 | 185.5 | K063.4.046 |
| 90 B14 | 181.5 | 177 | 140 | 185.5 | K063.4.041 |
| 100/112 B14 | 196.5 | 187 | 160 | 200.5 | KC40.4.041 |